



1.8° Size 39mm High Torque Hybrid Stepping Motor

● General Specifications

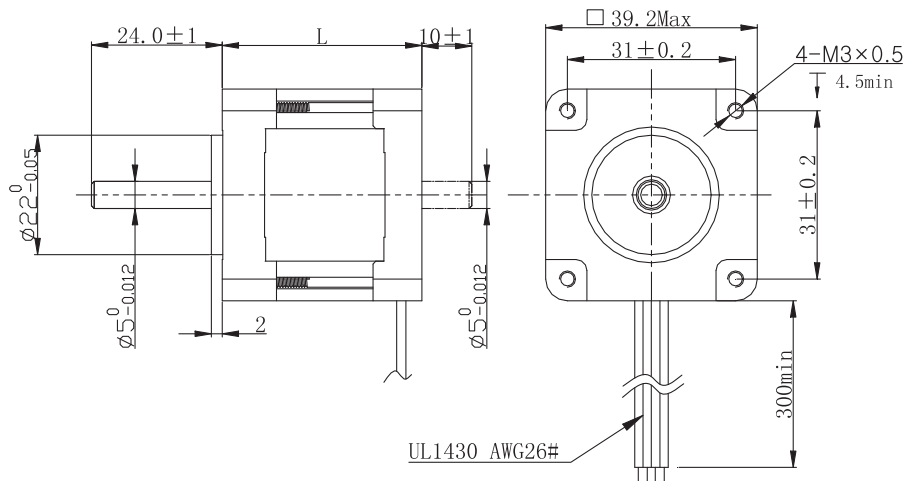
Item	Specifications
Step Angle	1.8°
Step Angle Accuracy	± 5% (full step, no load)
Resistance Accuracy	± 10% (@20°C)
Inductance Accuracy	± 20% (1kHz)
Temperature Rise	80°C Max.(rated current,2 phase on)
Ambient Temperature	-20°C~+50°C
Insulation Resistance	100MΩ Min. ,500VDC
Dielectric Strength	500VAC for one minute
Shaft Radial Play	0.02Max. (450 g-load)
Shaft Axial Play	0.08Max. (450 g-load)
Max. radial force	28N (20mm from the flange)
Max. axial force	10N



● Specifications

Model No.		Rated Voltage	Current /Phase	Resistance /Phase	Inductance /Phase	Holding Torque	# of Leads	Rotor Inertia	Weight	Detent Torque	Length
Single shaft	Double shaft	V	A	Ω	mH	g-cm		g-cm ²	kg	g-cm	mm
FL39STH20-0404A	FL39STH20-0404B	2.64	0.4	6.6	7.0	850	4	15	0.12	50	20
FL39STH34-0306A	FL39STH34-0306B	10.2	0.3	40	30	1800	6	30	0.18	120	31
FL39STH38-0504A	FL39STH38-0504B	12	0.5	24	50	3600	4	44	0.2	180	38

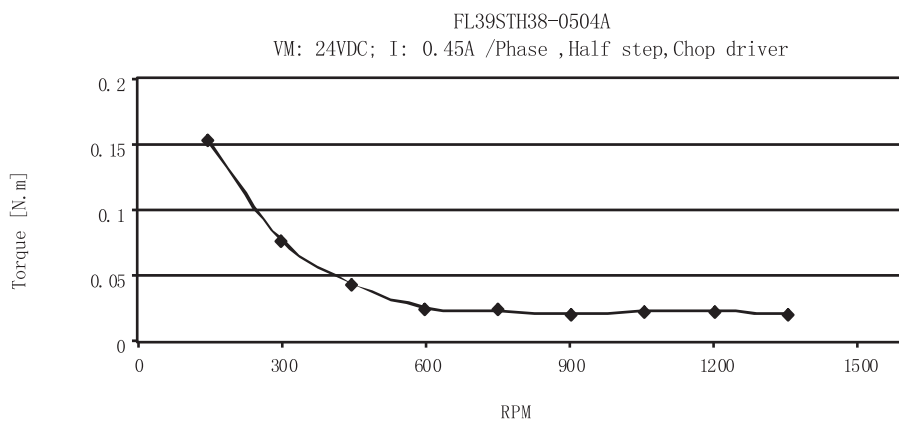
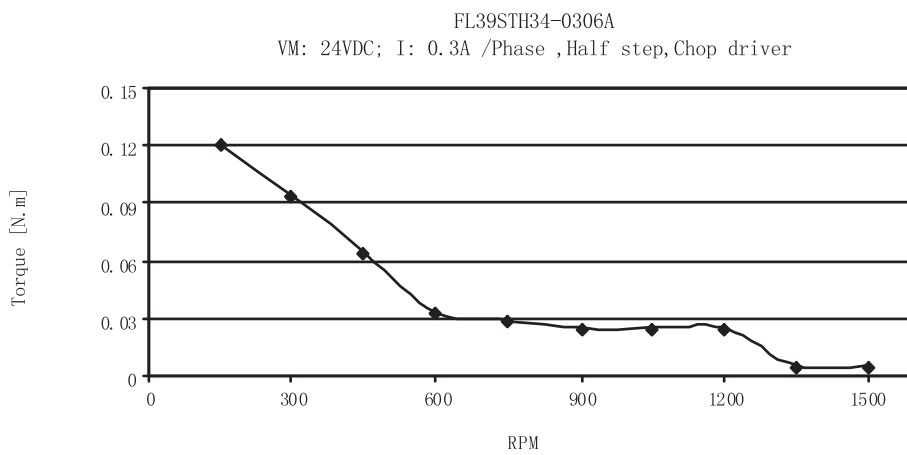
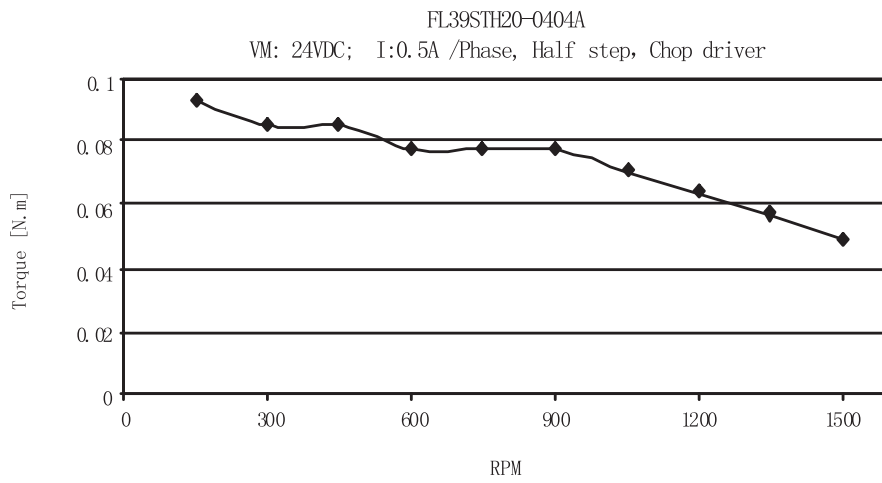
● Dimensions



● Wiring Diagram



● Pull- out Curve



*This motor can be designed & manufactured with customized request.