

## FL60SV SERVO SERIES

**FL 60 SV XX**  
 |      |      |      |  
                 Power= X10  
                 Servo Motor  
                 Motor frame size: 60m

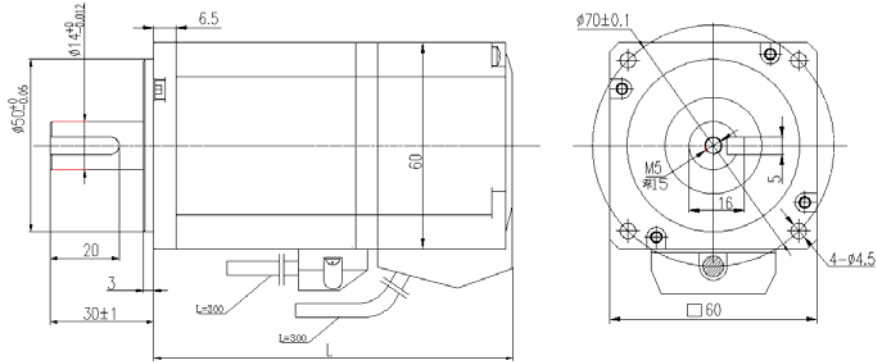


Fulling

Model		FL60SV20	FL60SV40
Rated power	P <sub>n</sub> (W)	200	400
Rated torque	T <sub>n</sub> (Nm)	0.64	1.27
Rated speed	n <sub>n</sub> (rpm)	3000	3000
Rated current	I <sub>n</sub> (A)	6	12
DC Link Voltage	U <sub>DC</sub> (V)	48	48
Maximum torque	T <sub>m</sub> (Nm)	1.92	3.81
Maximum current	I <sub>m</sub> (A)	18	36
Standstill torque	T <sub>s</sub> (Nm)	0.7	1.4
Standstill current	I <sub>s</sub> (A)	6.6	13.2
Voltage constant	K <sub>e</sub> (V/krpm)	6.5	6.5
Torque constant	K <sub>t</sub> (Nm/A)	0.107	0.107
Resistance line-line	R <sub>L</sub> (Ω)	0.56	0.25
Inductance line-line	L <sub>L</sub> (mH)	1.2	0.55
Electrical time constant	τ <sub>e</sub> (ms)	2	1.42
Mechanical time constant	τ <sub>m</sub> (ms)	1.8	1.6
Rotor moment of inertia	J <sub>m</sub> (kgcm <sup>2</sup> )	0.21	0.43
Pole number		8	8
Max. voltage rising	du/dt (kV/μs)	8	8
Insulation class		F	F
Max. radial force	F <sub>r</sub> (N)	245	245
Max. axial force	F <sub>a</sub> (N)	98	98
Weight (Kg)		1.4	1.7
Feedback device		2500p/rev incremental encoder	
Temperature sensor		Optional	
Cooling method		Totally enclosed non-ventilated	
Protection level		IP65, shaft sealing IP54	
Environmental conditions	Temperature	-20°C~40°C	
	Humidity	Below 90%RH (No dewing)	
	Environment	Far away from active gas, combustibile gas, oil drop, ash.	
	Installation altitude	Up to 1000m: rated power Above 1000m: 1.5% power Decreasing per 100m, max. 4000m	
Rating conditions	Mounting	Black Aluminum flange 255×255×6mm	
	Temperature	60K housing temperature rising at 40°C ambient	

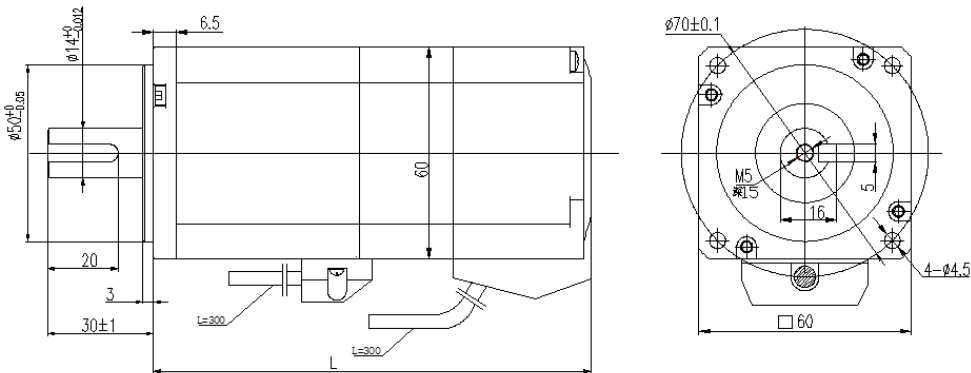
**DIMENSIONS:**

**FL60SV STANDARD (Unit: mm)**



POWER (W)	LENGTH L
200	110
400	135

**FL60SV WITH BRAKE (Unit: mm)**



POWEWR (W)	LENGTH L
200	150
400	175

**Torque VS Speed**

