



PM Stepping Motor

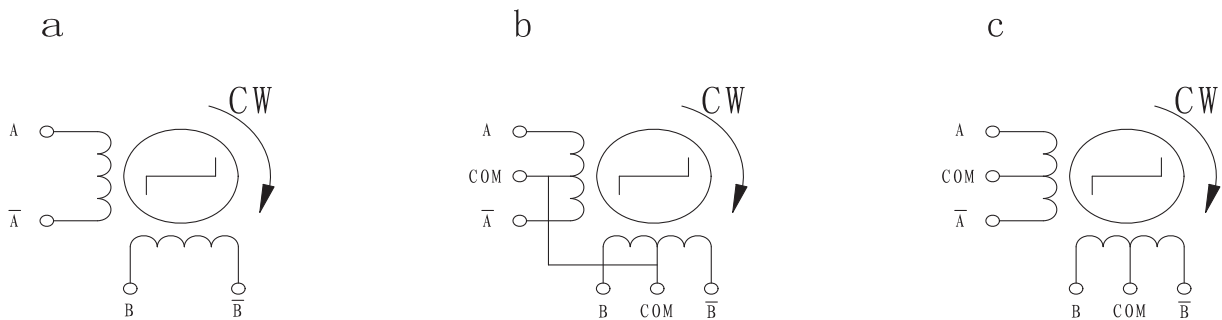
10BY Series



● Specifications

Model	Step Angle (Deg.)	No. of Phase	Voltage (V)	Current (A)	Resistance (Ω)	Inductance (mH)	No-load Starting Frequency (pps)	Pull-in Torque (g.cm)	Detent Torque (g.cm)	Holding Torque (g.cm)	Leads	Wdg	Fig
10BY20L03	18	2	3.3	0.22	15	2.4	1200	6	10	16.3		a	1
10BY20L06-1	18	2	3.3	0.22	15	2.4	1200	5.8	10	16.3		a	2
10BY20L022	18	2	12	0.2	26	3.8	1800	12	10	20	UL1571 28#	a	3

● Wiring Diagram



● Dimensions

Fig1

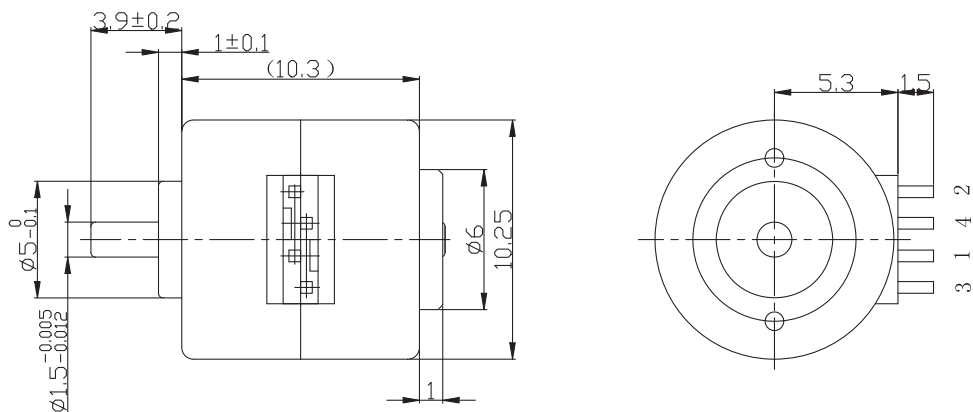


Fig2

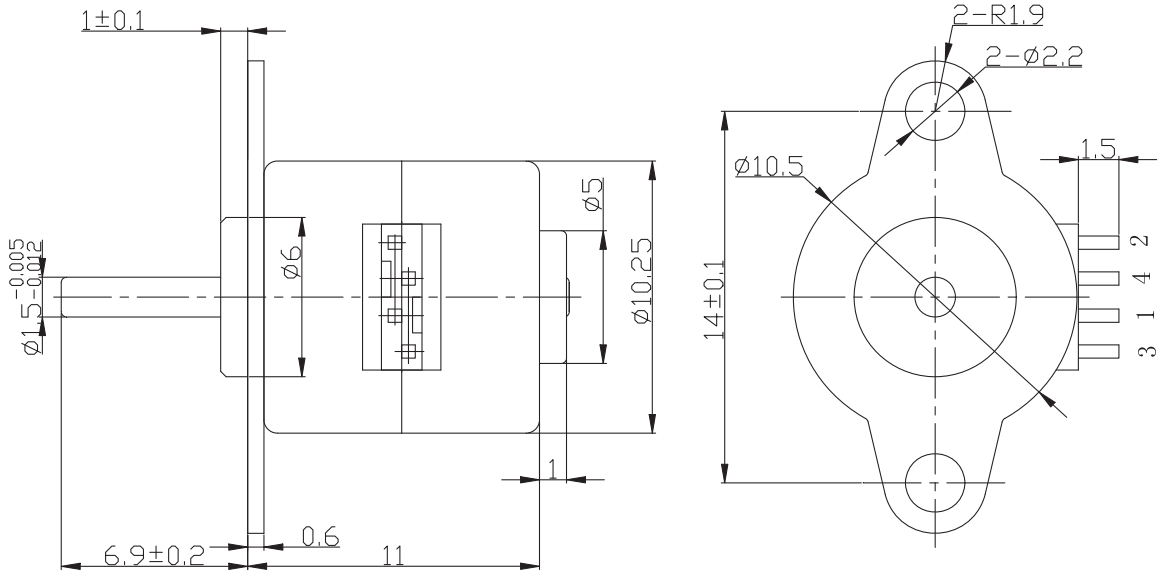
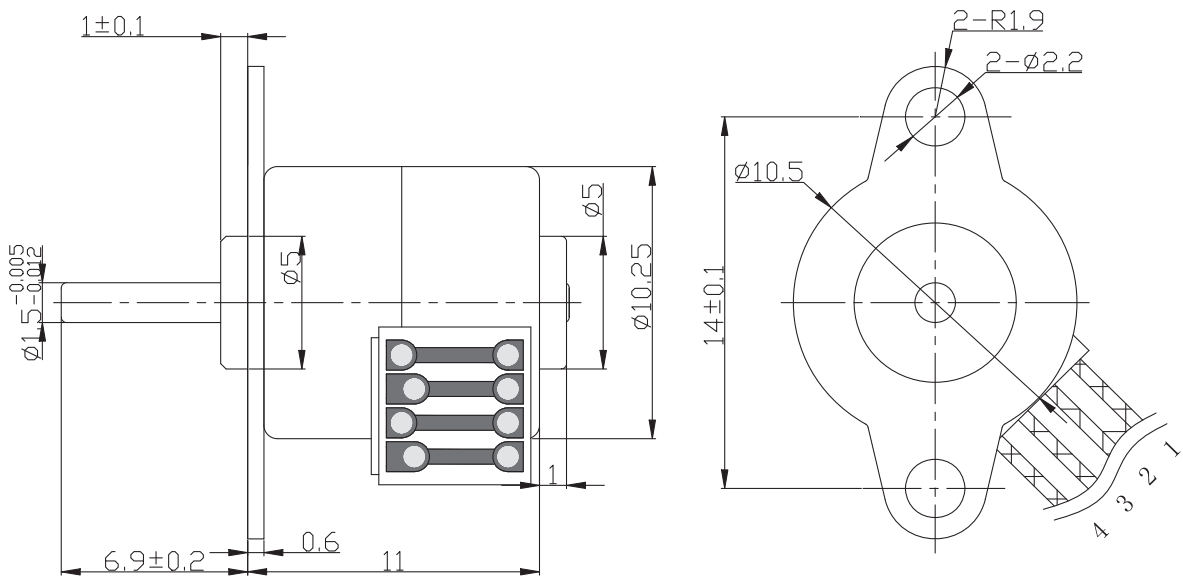


Fig3



*This motor can be designed & manufactured with customized request.