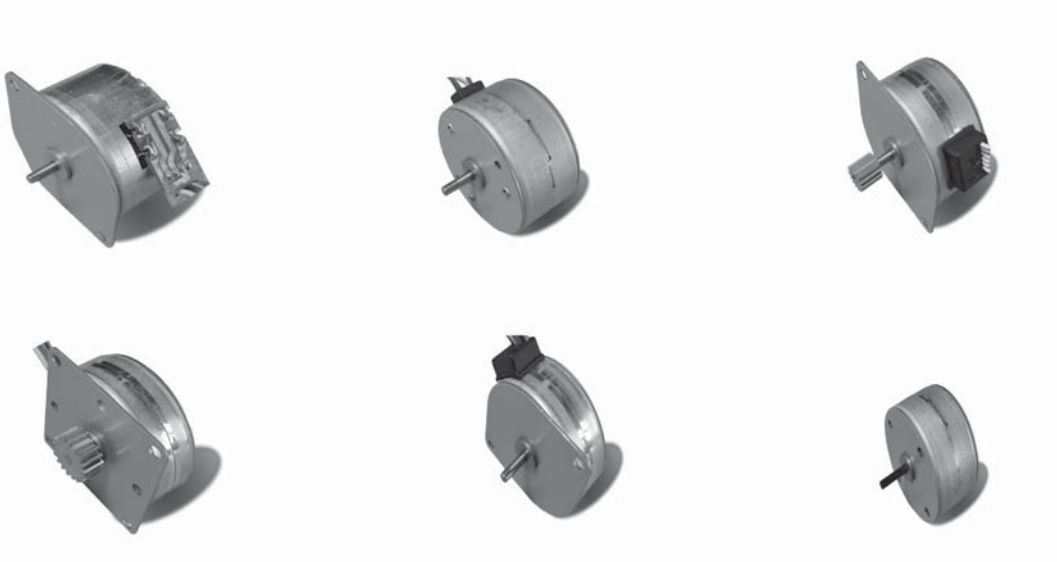




# PM Stepping Motor

## 42BY Series

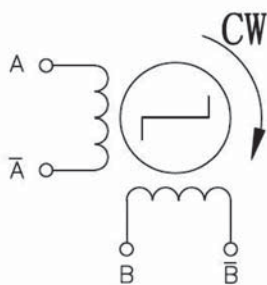


### ● Specifications

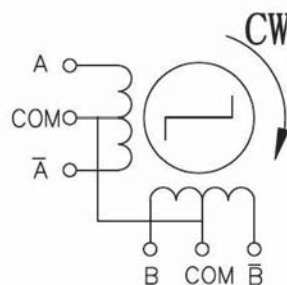
Model	Step Angle (Deg.)	No. of Phase	Voltage (V)	Current (A)	Resistance (Ω)	Inductance (mH)	No-load Starting Frequency (pps)	Pull-in Torque (g.cm)	Detent Torque (g.cm)	Holding Torque (g.cm)	Leads	Wdg	Fig
42BY48L01	7.5	4	12	0.18	70	47.9	280	60	125	500	UL 1007 26#	c	1
42BY48L09	7.5	4	9	0.58	15.5	11.1	530	150	125	800	UL 1007 26#	b	2
42BY48L111-2	7.5	2	24	0.6(恒流)	5.8	9.5	750	450	280	700	UL 2468 26#	a	3
42BY48H01	7.5	4	12	0.25	48	37	300	80	125	550	UL 1007 26#	c	4
42BY48S01	7.5	4	12	0.3	40	22	350	70	100	550	UL 1007 26#	b	5
42BY48S011	7.5	4	12	0.21	57	30.5	310	95	100	650	UL 1007 26#	b	6
42BY96S-10	3.75	2	5	0.42	12	12	350	160	110	500	UL 1007 28#	a	7
42BY100S-03	3.6	4	12	0.16	75	37.7	380	14	60	420	UL 1061 26#	c	8

### ● Wiring Diagram

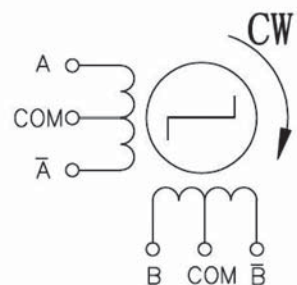
a



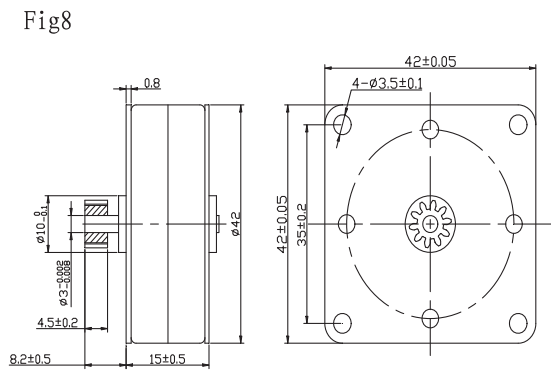
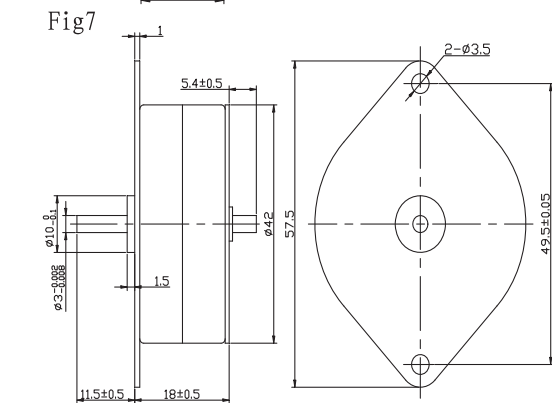
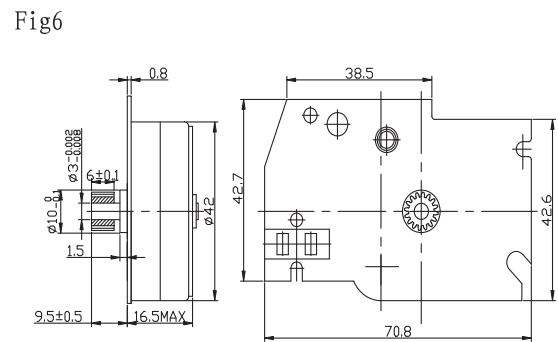
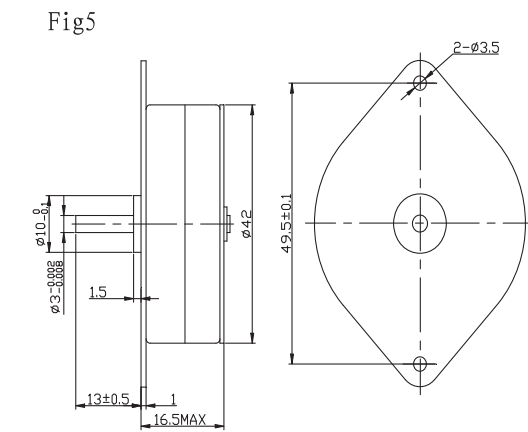
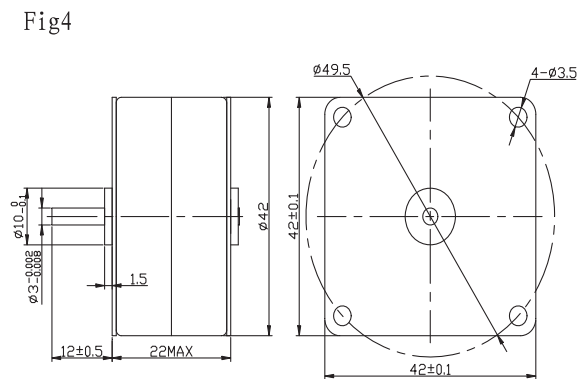
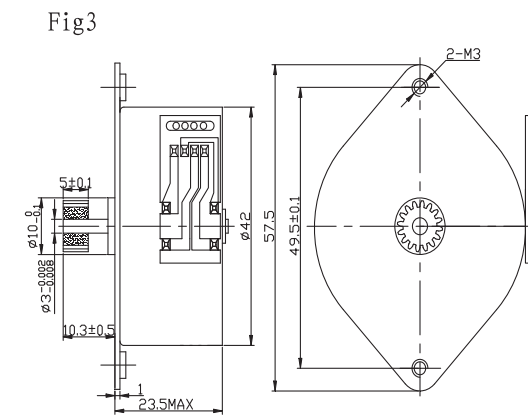
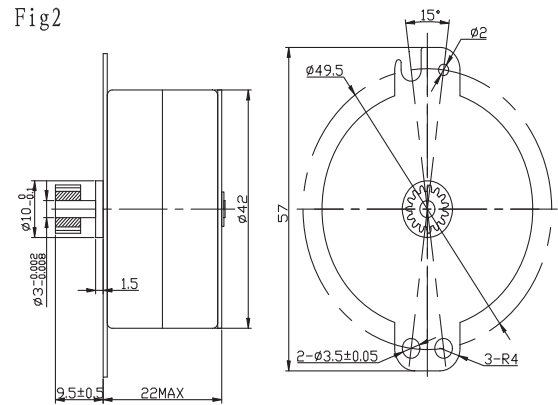
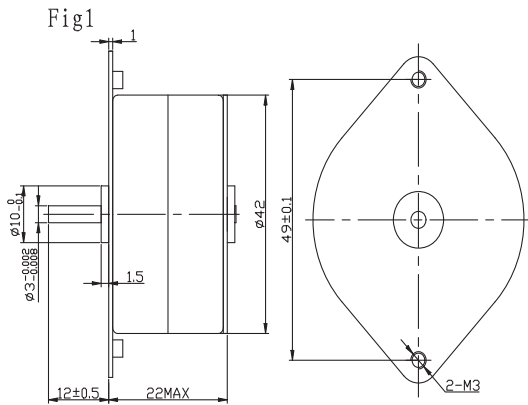
b



c



● Dimensions



\*This motor can be designed & manufactured with customized request.