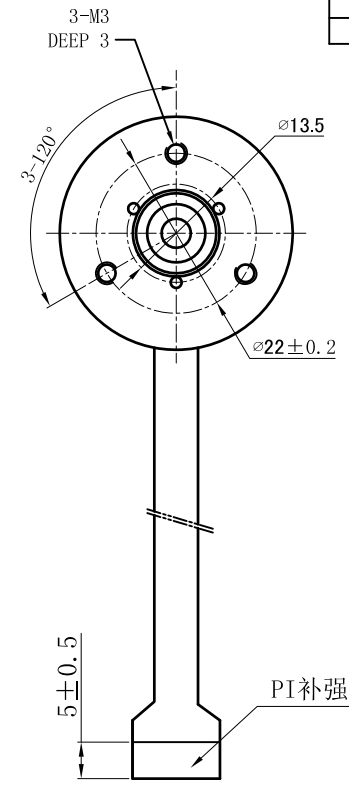
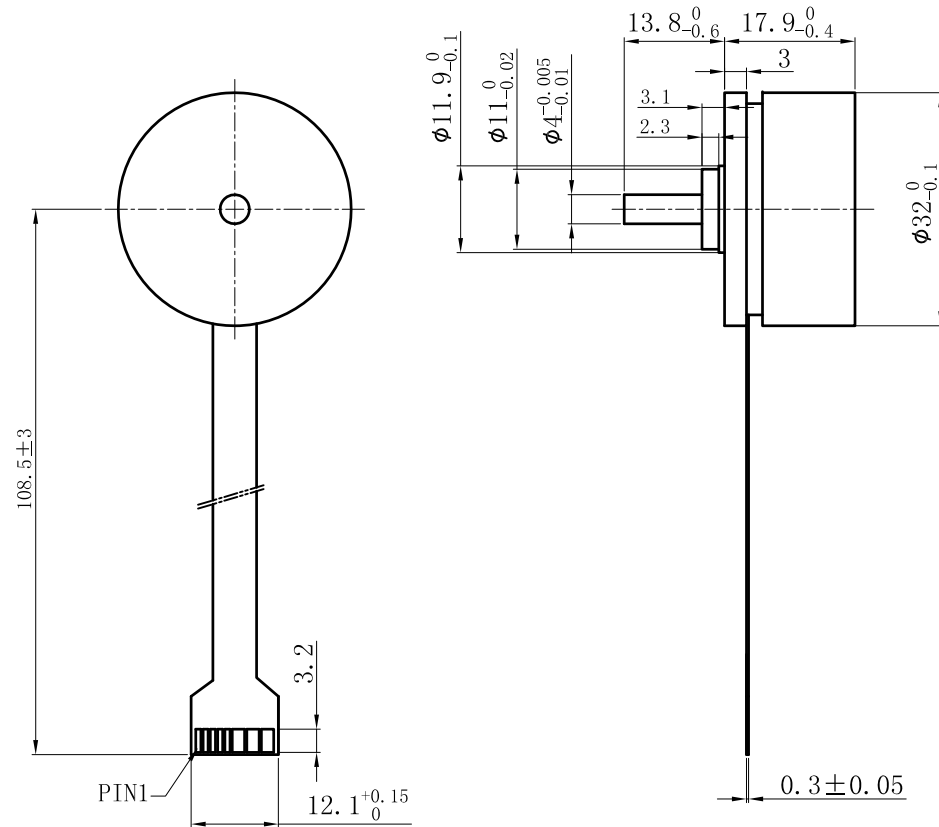
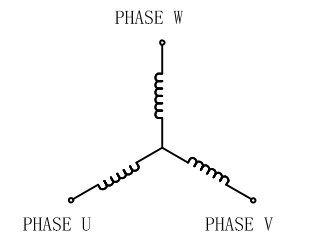


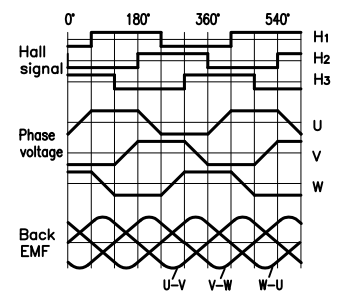
REV	ECN NO.	DESCRIPTION	DRN	APPD	DATE



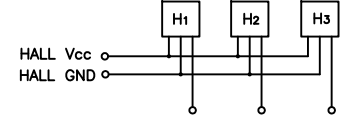
THREE-PHASE CONNECTING



CW from shaft side



HALL CONNECTION



OUTRUNNER BLDCM

NUMBER OF PHASE	绕组相数	3	Wires for Phases FPC			
NUMBER OF POLES	极数	8	PHASE U	PHASE V	PHASE W	
LINE TO LINE RESISANCE	线电阻	3.2 ± 10% ohms@20°C	PIN8	PIN7	PIN6	
LINE TO LINE INDUCTANCE	线电感	1.2 ± 20% mH@1kHz	Wires for HALL FPC			
NOMINAL VOLTAGE	额定电压	12 VDC	HALL Vc	Hu	Hv	Hw
NO LOAD SPEED	空载转速	4650 ± 10% RPM	PIN1	PIN3	PIN4	PIN2
NO LOAD CURRENT	空载电流	< 0.37 A	PERMISSIBLE RADIAL+AXIAL FORCE			
RATED TORQUE	额定转矩	25.1 mN.m				
RATED SPEED	额定转速	2800 ± 10% RPM				
RATED CURRENT	额定电流	1 A				
PEAK TORQUE	峰值转矩	75.3 mN.m				
PEAK CURRENT	峰值电流	3 A				
BACK EMF CONSTANT	反电势常数	1.825 Vrms/kRPM				
TORQUE CONSTANT	转矩常数	24.67 mN.m/A				
INSULATION CLASS	绝缘等级	B 130°C	AXIAL-FORCE	轴向压力	Fr=4.8 N Max	
DIELECTRIC STRENG	介电强度	600VAC 1SEC	DISTANCE	距离	a=5 mm	
INSULATION RESIST	绝缘电阻	100M0hm @500VDC	RADIAL-FORCE	径向压力	Fr=14 N Max	
ROTOR INERTIA	转子转动惯量	35 g.cm ²	SHAFT RADIAL PLAY	径向间隙	0.02mm Max.Ø4N	
WEIGHT	重量	50 g	SHAFT AXIAL PLAY	轴向间隙	0.14mm Max.Ø4N	
OPERATION AMBIENT	使用环境	Ambient temperature:-20...+50° C, humidity Max. 85%(No condensation)				
STORAGE AMBIENT	存储环境	Ambient temperature:-20...+85° C, humidity Max. 85%(No condensation)				

REV	ECN NO.	DESCRIPTION	DESIGN	DATE	P/N.
UNLESS OTHERWISE SPECIFIED		MATERIAL	CONTR	CHECK	TITLE
TOLERANCES					Specifications
DECIMALS:	ANGULAR:				USED ON
.x ±0.5	±0° 30'				FL32BLW18-12V-4607A
.xx ±0.25					DWG NO.
.xxx ±0.1					REV
UNIT: mm	FIRST ANGLE PROJECTION	SCALE 1:1			A
DO NOT SCALE DRAWING		SHEET 1 OF 1			FULLING MOTOR