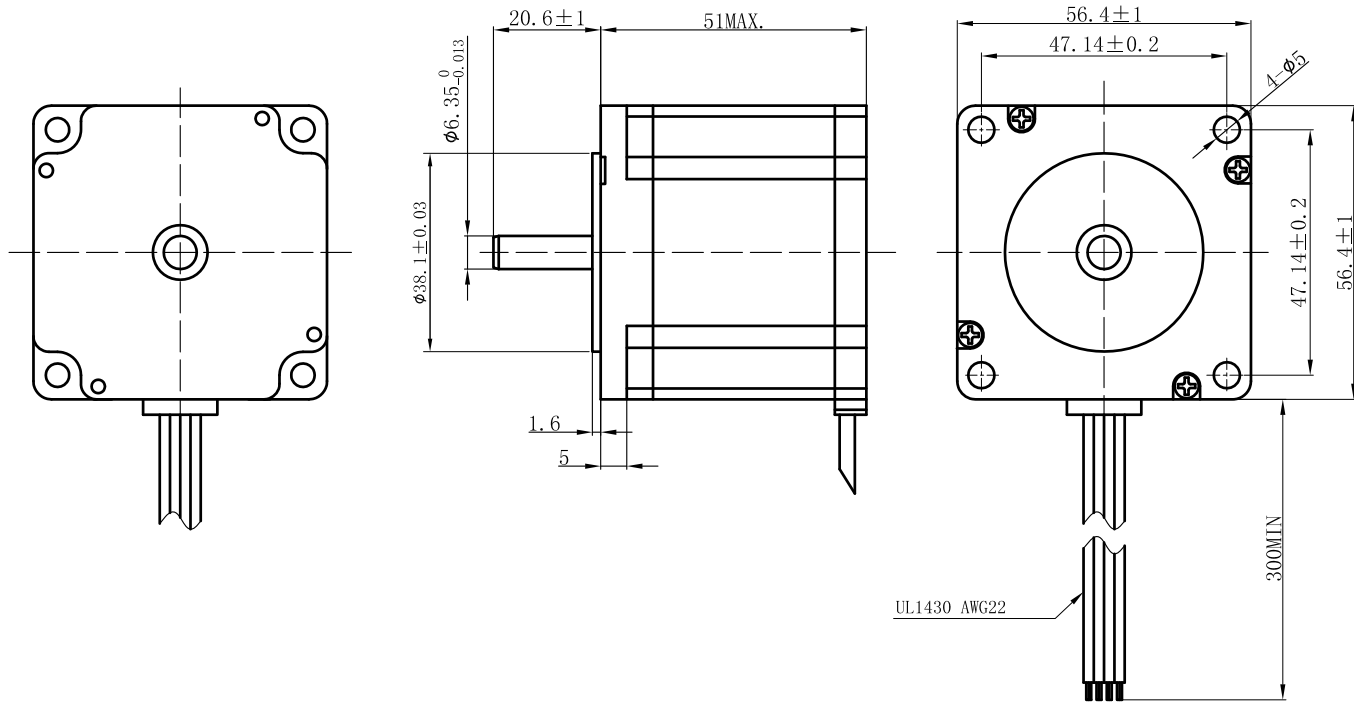
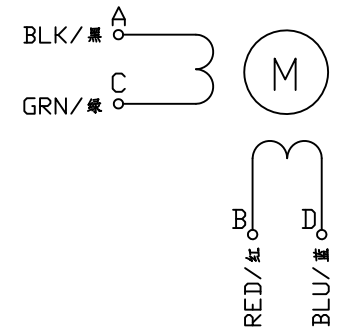


REV	ECN NO.	DESCRIPTION	DRN	APP'D	DATE



WIRING DIAGRAM/接线图



Exciting Sequence (励磁顺序)

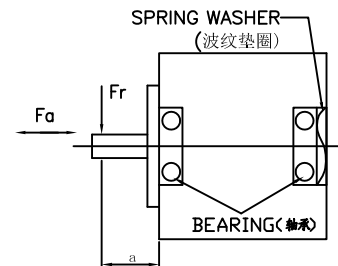
CW DIRECTION	STEP	A	C	B	D
↓	1	+		+	
	2		+	+	
	3		+		+
	4	+			+
	1	+		+	

CW, see from flange side  
(顺时针, 从法兰侧看)

SPECIFICATION

STEP ANGLE	步距角	1.8°/full step (整步)
STEP ANGLE ACCURACY	步距角精度	±5%
NUMBER OF PHASE	绕组相数	2
RATED VOLTAGE	额定电压	2.3 VDC
RATED CURRENT	额定电流	2.8 A
RESISTANCE/PHASE	每相电阻	0.83±10% ohms@20°C
INDUCTANCE/PHASE	每相电感	2.2±20% mH@1kHz
HOLDING TORQUE	保持转矩	1.0 N.m
PULL OUT TORQUE	运行转矩	N/A
BACK EMF	反电动势	V @300RPM
DETENT TORQUE	定位转矩	N.cm
ROTOR INERTIA	转子转动惯量	275 g.cm <sup>2</sup>
WEIGHT	重量	0.65 Kg
TEMPERATURE RISE	温升	Less than 80K (≦80K)
SOURCE VOLTAGE	驱动器电压	N/A
INSULATION CLASS	绝缘等级	B 130°C
DIELECTRIC STRENGTH	介电强度	600VAC 1MIN
INSULATION RESISTANCE	绝缘电阻	100MΩ @500VDC
IP CODE	防护等级	N/A
OPERATION AMBIENT	使用环境	Ambient temperature:-20...+50°C, humidity Max. 85%(No condensation)
STORAGE AMBIENT	存储环境	Ambient temperature:-10...+35°C, humidity Max. 85%(No condensation)

PERMISSIBLE RADIAL+AXIAL FORCE  
(允许的轴向和径向力)



AXIAL-FORCE 轴向压力	Fa=15 N Max.
DISTANCE 距离	a=20 mm
RADIAL-FORCE 径向压力	Fr=75 N Max.
SHAFT RADIAL PLAY 径向间隙	0.02mm Max. @4N
SHAFT AXIAL PLAY 轴向间隙	0.08mm Max. @4N

REV	ECN NO.	DESCRIPTION	DRN	APP'D	DATE	DESIGN	DATE	P/N.	3.1.01.057. xxxx
UNLESS OTHERWISE SPECIFIED TOLERANCES						MATERIAL	CONTR.	CHECK	TITLE
DECIMALS: .x ±0.5 .xx ±0.25 .xxx ±0.1									Specifications
ANGULAR: ±0°30'									USED ON
UNIT: mm									FL57STH51-2804A
DO NOT SCALE DRAWING						FIRST ANGLE PROJECTION	SCALE 1:1		DWG NO.
									REV
									A
								FULLING MOTOR	
								SHEET OF	