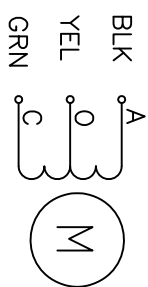


REV	ECN NO.	DESCRIPTION	DRN	APP'D	DATE

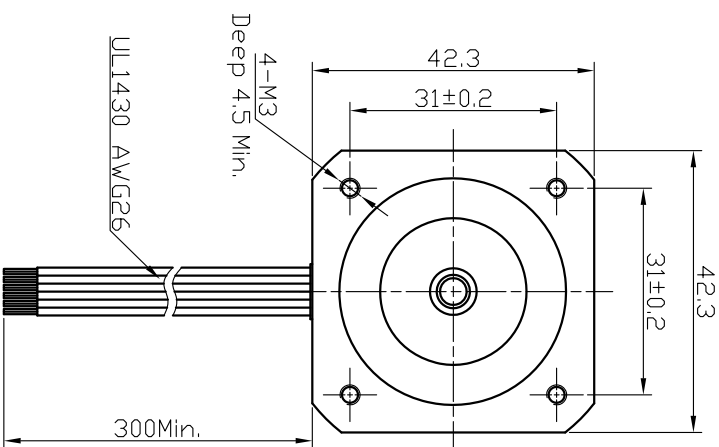
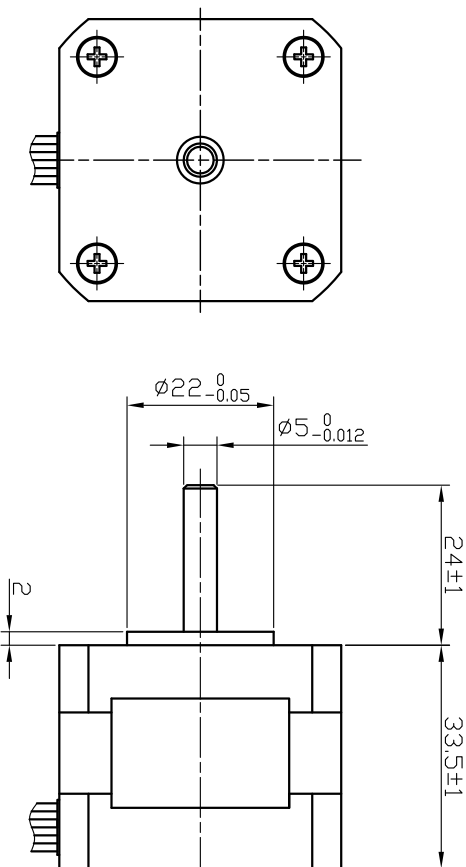
Wiring Diagram (接线图)



Exciting Sequence (励磁顺序)

CW DIRECTION	STEP	A	C	B	D	O	M
↑	1	+		+		+	+
	2		+		+		+
	3			+		+	+
	4	+			+		+
	1	+			+		+

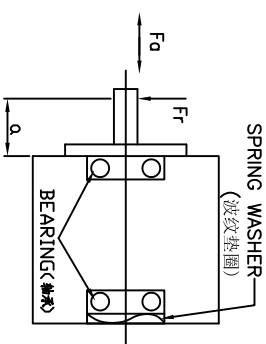
CW, see from flange side
(顺时针, 从法兰侧看)



SPECIFICATION

STEP ANGLE	步距角	1.8°/full step(步距角精度 ±5%)
STEP ANGLE ACCURACY	步距角精度	±5%
NUMBER OF PHASE	绕组相数	4
RATED VOLTAGE	额定电压	4.0 VDC
RATED CURRENT	额定电流	0.95 A
RESISTANCE/PHASE	每相电阻	4.2±10% ohms@20°C
INDUCTANCE/PHASE	每相电感	2.5±20% mH@1kHz
HOLDING TORQUE	保持转矩	1600 g.cm
PULL OUT TORQUE	运行转矩	
BACK EMF	反电动势	
DETTENT TORQUE	定位转矩	
ROTOR INERTIA	转子转动惯量	35 g.cm ²
WEIGHT	重量	220 g
TEMPERATURE RISE	温升	Less than 80K (ΔT80 K)
SOURCE VOLTAGE	驱动器电压	24 VDC
INSULATION CLASS	绝缘等级	B 150°C
DIELECTRIC STRENGTH	介电强度	500VAC 1MIN
INSULATION RESISTANCE	绝缘电阻	100M Ohm @500VDC
IP CODE	防护等级	IP30
OPERATION AMBIENT	使用环境	Ambient temperature: -20...+50°C, humidity Max. 85% (No condensation)
STORAGE AMBIENT	存储环境	Ambient temperature: -20...+85°C, humidity Max. 85% (No condensation)

PERMISSIBLE RADIAL+AXIAL FORCE
(允许轴向外力和轴向力)



UNLESS OTHERWISE SPECIFIED	MATERIAL	CONTR.	CHECK	DESIGN	DATE	P/N
TOLERANCES:						3.1.01.042.***
ANGULAR:						Specifications
±0.5						USED ON
±0.25						FL42STH33-0956A
±0.1						DWG NO.
UNIT: mm						REV
DO NOT SCALE DRAWING	FIRST ANGLE PROJECTION			SCALE	NTS	REV
					OF	A
						FULLING MOTOR