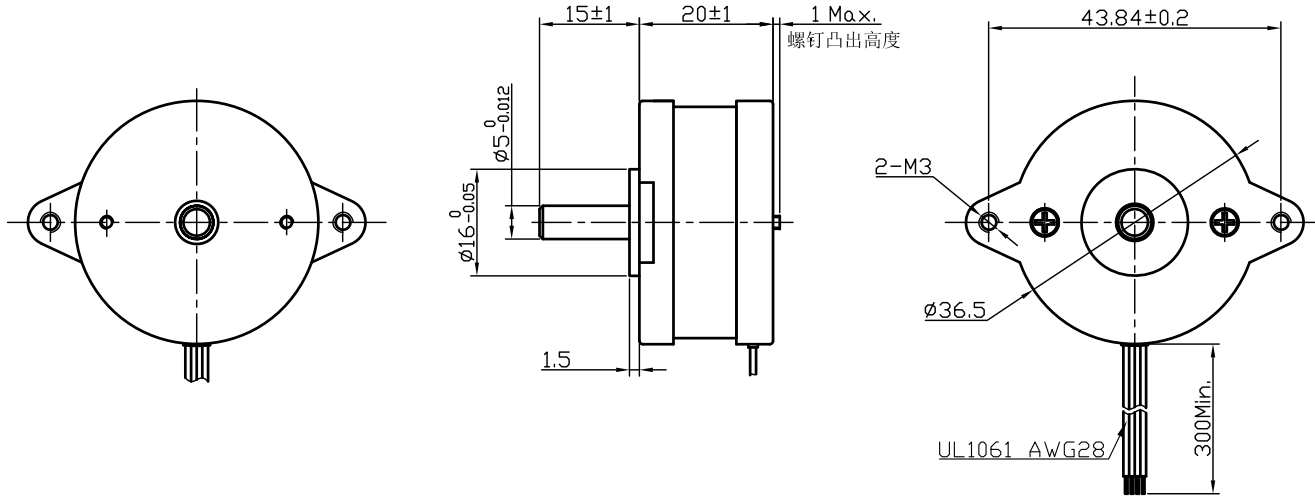
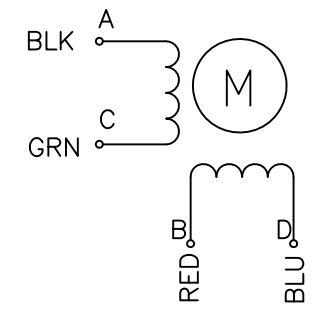


REV	ECN NO.	DESCRIPTION	DRN	APP'D	DATE



Wiring Diagram(接线图)



Exciting Sequence (励磁顺序)

CW DIRECTION	STEP	A	C	B	D
↓	1	+		+	
	2		+	+	
	3		+		+
	4	+			+
	1	+		+	

CW, see from flange side
(顺时针, 从法兰侧看)

SPECIFICATION

STEP ANGLE	步距角	0.9°/full step(整步)	PERMISSIBLE RADIAL+AXIAL FORCE (允许的轴向和径向力)
STEP ANGLE ACCURACY	步距角精度	±5%	
NUMBER OF PHASE	绕组相数	2	SPRING WASHER (波纹垫圈)
RATED VOLTAGE	额定电压	6.0 VDC	
RATED CURRENT	额定电流	0.5 A	BEARING(轴承)
RESISTANCE/PHASE	每相电阻	12±10% ohms@20°C	
INDUCTANCE/PHASE	每相电感	10.5±20% mH@1kHz	
HOLDING TORQUE	保持转矩	950 g.cm	
PULL OUT TORQUE	运行转矩		
BACK EMF	反电动势		
DETENT TORQUE	定位转矩		
ROTOR INERTIA	转子转动惯量	19.6 g.cm ²	
WEIGHT	重量	90 g	
TEMPERATURE RISE	温升	Less than 80K(≤80K)	AXIAL-FORCE 轴向压力
SOURCE VOLTAGE	驱动器电压	24 VDC	DISTANCE 距离
INSULATION CLASS	绝缘等级	B 130°C	RADIAL-FORCE 径向压力
DIELECTRIC STRENGTH	介电强度	500VAC 1MIN	
INSULATION RESISTANCE	绝缘电阻	100M0hm @500VDC	SHAFT RADIAL PLAY 径向间隙
IP CODE	防护等级	IP30	SHAFT AXIAL PLAY 轴向间隙
OPERATION AMBIENT	使用环境	Ambient temperature:-20...+50°C,humidity Max. 85%(No condensation)	
STORAGE AMBIENT	存储环境	Ambient temperature:-20...+85°C,humidity Max. 85%(No condensation)	

DESIGN	DATE	P/N.	3.101.036.***
CONTR.	CHECK	TITLE	Specifications
UNLESS OTHERWISE SPECIFIED TOLERANCES	MATERIAL	USED ON	FL36STH20-0504MA
DECIMALS: .x ±0.5	ANGULAR: ±0°30'	DWG NO.	REV A
.xx ±0.25			
.xxx ±0.1			
UNIT: mm	FIRST ANGLE PROJECTION	SCALE NTS	FULLING MOTOR
DO NOT SCALE DRAWING		SHEET OF	