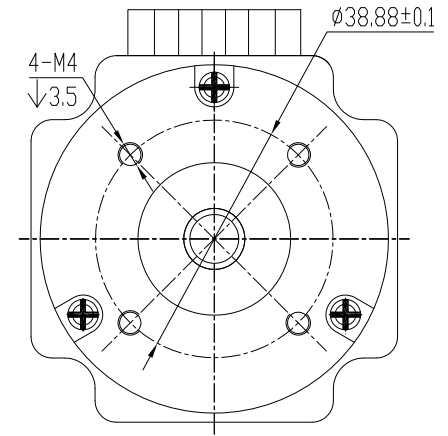
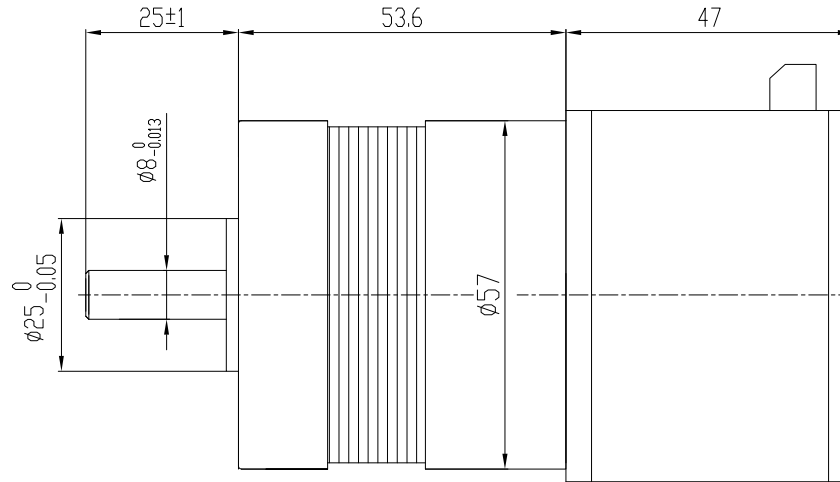
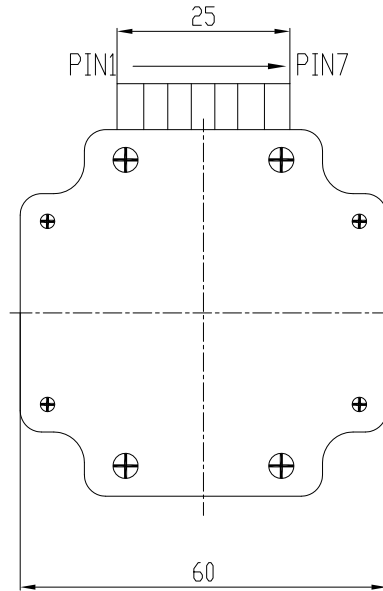


REV	ECN NO.	DESCRIPTION



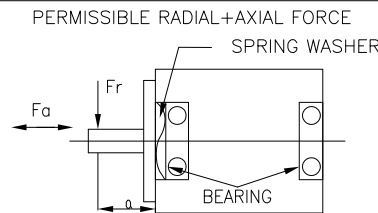
NOTE:
 1 USE THE BEARING--ZZ SERIES
 2 SPEED CLOSE-LOOP CONTROL:5000 RPM MAX
 . @ SV=5VDC

CONNECTING INDICATING

+5V	F/R	SV	PG	GND	Vp-	Vp+
○	○	○	○	○	○	○
7	6	5	4	3	2	1

- 1 Vp+----Positive input of 36VDC
- 2 Vp-----Negative input of 36VDC
- 3 GND----COMMON GROUND OF SYSTEM
- 4 PG----SPEED PULSE OUTPUT(TTL),12 PULSE/REV
- 5 SV----SPEED VOLTAGE 0--5VDC
- 6 F/R----ROTATING DIRECTION,Hi=CCW
- 7 +5V----+5V VOLTAGE OUTPUT

NUMBER OF PHASE	绕组相数	3	
NUMBER OF POLES	极数	4	
LINE TO LINE RESISTANCE	线电阻	1.63±10% ohms@20°C	
LINE TO LINE INDUCTANCE	线电感	4.39±20% mH@1kHz	
NOMINAL VOLTAGE	额定电压	36 VDC	
NO LOAD SPEED	空载转速	5700±10% RPM	
NO LOAD CURRENT	空载电流	< 0.4 A	
RATED TORQUE	额定转矩	0.11N.m	
RATED SPEED	额定转速	4000(1±10%) RPM	
RATED CURRENT	额定电流	1.8A	
PEAK TORQUE	峰值扭矩	0.33 N.m	
PEAK CURRENT	峰值电流	5.5 A	
BACK EMF CONSTANT	反电势常数	4.5 Vrms/kRPM	
TORQUE CONSTANT	转矩常数	0.06N.m/A	
INSULATION CLASS	绝缘等级	B 130°C	
DIELECTRIC STRENGTH	介电强度	650VAC 1SEC	
INSULATION RESISTANCE	绝缘电阻	100MΩhm @500VDC	
ROTOR INERTIA	转子转动惯量	75g.cm ²	
WEIGHT	重量	0.44 Kg	
OPERATION AMBIENT	使用环境	Ambient temperature:-20...+55°C,humidity Max. 85%(No condensation)	
STORAGE AMBIENT	存储环境	Ambient temperature:-10...+35°C,humidity Max. 85%(No condensation)	



UNLESS OTHERWISE SPECIFIED TOLERANCES		MATERIAL	CONTR.	CHECK	DESIGN	DATE	P/N.	
DECIMALS:	ANGULAR:						3.1.02.057.0150	
.x	±0.5						TITLE	
.xx	±0.25						Specifications	
.xxx	±0.1						USED ON	
UNIT: mm							FL57BL01-IE-1	
DO NOT SCALE DRAWING							DWG NO.	
							REV	
		FIRST ANGLE PROJECTION	SCALE	N.T.S			FULLING MOTOR	
			SHEET	1	OF	1		