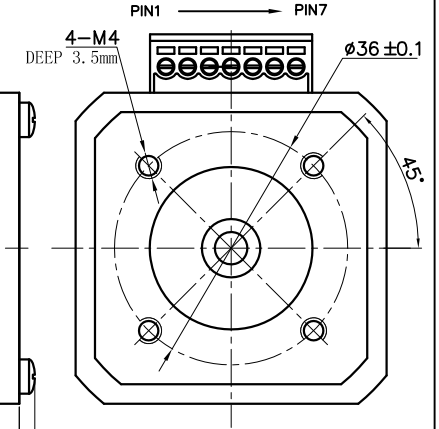
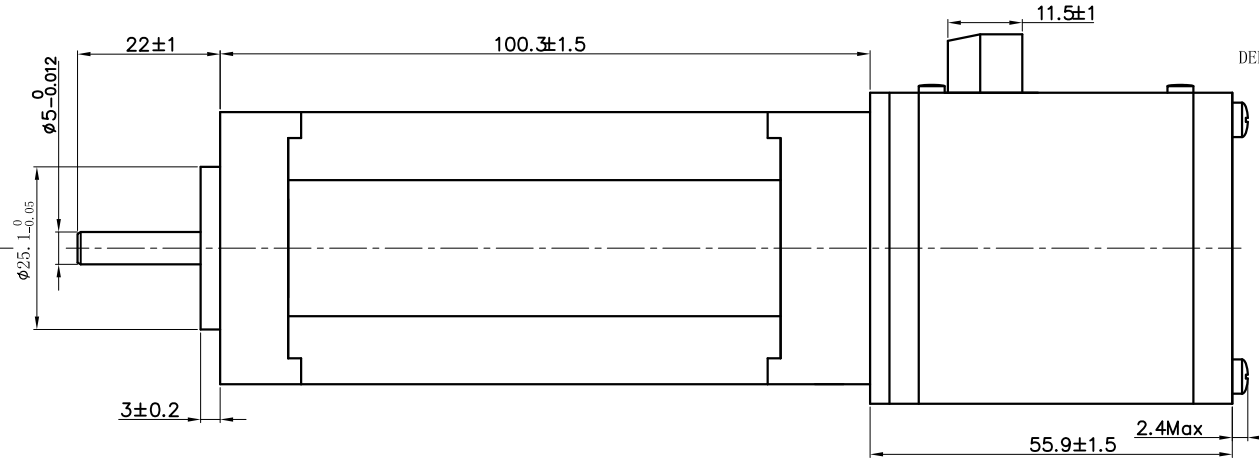
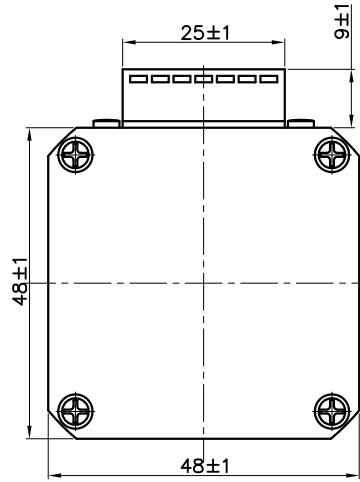


REV	ECN NO.	DESCRIPTION	DRN	APPD	DATE



CONNECTING INDICATING
连接说明

+5V F/R	SV	PG	GND	GND	+Vp
○	○	○	○	○	○
1	2	3	4	5	6

DETAILS: 详细说明

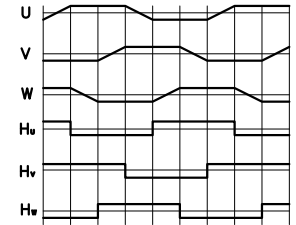
- 7 +Vp---DC POWER INPUT +24VDC / 直流电源输入端 +24V
- 6 GND---COMMON GROUND OF SYSTEM / 系统公共接地端
- 5 GND---COMMON GROUND OF SYSTEM / 系统公共接地端
- 4 PG---SPEED PULSE OUTPUT(TTL), 24 PULSE/REV / 速度脉冲输出 (TTL), 24脉冲/转
- 3 SV---SPEED VOLTAGE 0--5VDC / 调速电压 0--5VDC
- 2 F/R---ROTATING DIRECTION, Hi=CW / 转向调节端, 高电平=顺时针
- 1 +5V---+5V VOLTAGE OUTPUT / +5V 电压输出端

NOTE: / 技术要求

SPEED CLOSE-LOOP CONTROL: 6000 RPM MAX.

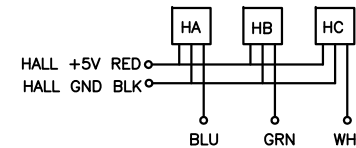
● SV=5VDC / 速度环控制: 在调速电压为5V时, 转速最高6000 RPM

CCW COMMUTATION:
VIEWED FROM OUTPUT SHAFT

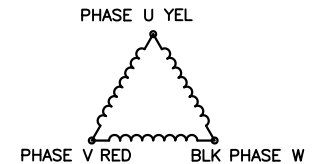


NUMBER OF PHASE 绕组相数		3		Wires for Phases UL1430 AWG20		
NUMBER OF POLES 极数	8	PHASE U	PHASE V	PHASE W		
LINE TO LINE RESISANCE 线电阻	0.3 ± 10% ohms@20°C	YEL	RED	BLK		
LINE TO LINE INDUCTANCE 线电感	0.5 ± 20% mH@1kHz	Wires for HALL UL1430 AWG26				
NOMINAL VOLTAGE 额定电压	24 VDC	HALL Vc	Hu	Hv	Hw	HALL Gnd
NO LOAD SPEED 空载转速	6300 ± 10% RPM	RED	BLU	GRN	WHT	BLK
NO LOAD CURRENT 空载电流	< 0.6 A	PERMISSIBLE RADIAL+AXIAL FORCE				
RATED TORQUE 额定转矩	0.25 N.m					
RATED SPEED 额定转速	4000 ± 10% RPM					
RATED CURRENT 额定电流	7.1 A	AXIAL-FORCE 轴向压力 Fa=10 N Max				
PEAK TORQUE 峰值转矩	0.75 N.m	DISTANCE 距离 a=10 mm				
PEAK CURRENT 峰值电流	21.3 A	RADIAL-FORCE 径向压力 Fr=28 N Max				
BACK EMF CONSTANT 反电势常数	2.62 ± 10% Vrms/kRPM	SHAFT RADIAL PLAY 径向间隙 0.02mm Max. @4N				
TORQUE CONSTANT 转矩常数	0.0354 N.m/A	SHAFT AXIAL PLAY 轴向间隙 0.14mm Max. @4N				
INSULATION CLASS 绝缘等级	B 130°C	OPERATION AMBIENT 使用环境 Ambient temperature: -20...+50° C, humidity Max. 85% (No condensation)				
DIELECTRIC STRENG 介电强度	600VAC 1SEC	STORAGE AMBIENT 存储环境 Ambient temperature: -20...+85° C, humidity Max. 85% (No condensation)				
INSULATION RESIST 绝缘电阻	100M0hm @500VDC					
ROTOR INERTIA 转子转动惯量	96 g.cm²					
WEIGHT 重量	0.8 Kg					

HALL CONNECTING



THREE-PHASE CONNECTING



REV	ECN NO.	DESCRIPTION	DESIGN	DATE	P/N.
UNLESS OTHERWISE SPECIFIED		MATERIAL	CONTR	CHECK	TITLE Specifications
TOLERANCES					USED ON FL42BL504-1E
DECIMALS:					DWG NO.
.x	± 0.5				REV A
.xx	± 0.25				
.xxx	± 0.1				
UNIT: mm		FIRST ANGLE PROJECTION			SCALE 1:1
DO NOT SCALE DRAWING					SHEET 1 OF 1

FULLING MOTOR