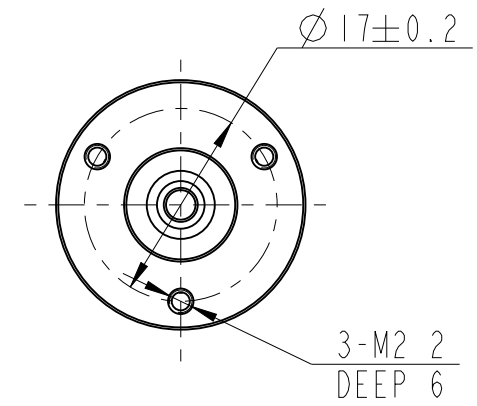
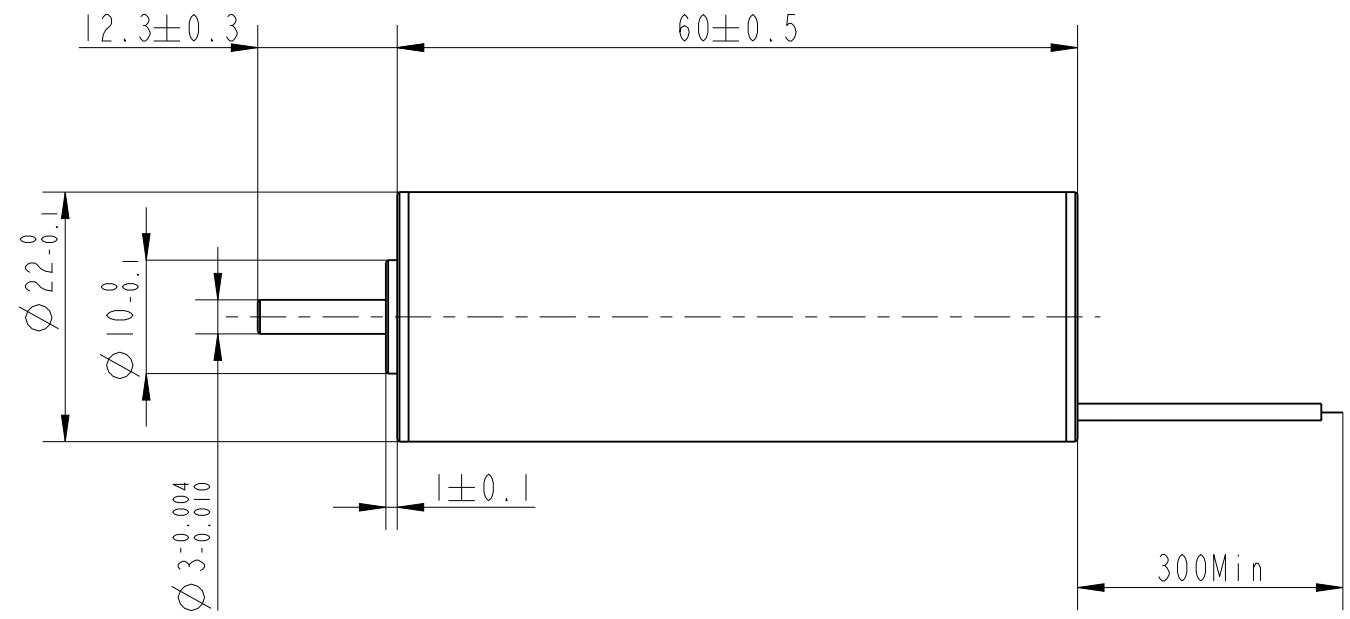


REV	ECN NO	DESCRIPTION	DRN	APP'D	DATE



NUMBER OF PHASE	绕组相数	3	Wires for Phases UL1430 AWG24					
NUMBER OF POLES	极数	2	PHASE U	PHASE V	PHASE W			
LINE TO LINE RESISTANCE	线电阻	1±10% ohms@20°C	YEL	RED	BLK			
LINE TO LINE INDUCTANCE	线电感	0.07±0.02 mH@1kHz						
NOMINAL VOLTAGE	额定电压	36 VDC						
NO LOAD SPEED	空载转速	40000±10% RPM						
NO LOAD CURRENT	空载电流	<0.5 A(AT 25°C)						
RATED TORQUE	额定转矩	21 mN.m	PERMISSIBLE RADIAL+AXIAL FORCE					
RATED POWER	额定功率	65 W						
RATED SPEED	额定转速	32000±10% RPM						
RATED CURRENT	额定电流	3.8 A						
PEAK TORQUE	峰值转矩	63 mN.m						
PEAK CURRENT	峰值电流	7.6 A						
BACK EMF CONSTANT	反电势常数	0.62 V/kRPM						
TORQUE CONSTANT	转矩常数	8.37±10% mN.m/A						
INSULATION CLASS	绝缘等级	B 130°C				AXIAL-FORCE	轴向压力	Fa=2 N Max
DIELECTRIC STRENG	介电强度	360VAC 1S				DISTANCE	距离	a=5 mm
INSULATION RESIST	绝缘电阻	100MΩm @500VDC	RADIAL-FORCE	径向压力	Fr=5 N Max			
ROTOR INERTIA	转子转动惯量	3.2g.cm ²	SHAFT RADIAL PLAY	径向间隙	0.02mm Max.@4N			
WEIGHT	重量	0.15Kg	SHAFT AXIAL PLAY	轴向间隙	0.14mm Max.@4N			
OPERATION AMBIENT	使用环境	Ambient temperature:-25...+40°C, humidity Max.85%(No condensation)						
STORAGE AMBIENT	存储环境	Ambient temperature:-10...+35°C, humidity Max.85%(No condensation)						

REV	ECN NO.	DESCRIPTION	DESIGN	DATE	P/N.	TITLE
					3.1.08.022.***	电机
UNLESS OTHERWISE SPECIFIED		MATERIAL	CONTR.	CHECK	USED ON	FL22SBL60-36V-400-70A
TOLERANCES:					DWG NO.	REA
DECIMALS:	ANGULAR:			APPD		
.X ±0.5	±0°30'					
.XX ±0.25						
.XXX ±0.1						
UNIT: mm	FIRST ANGLE PROJECTION			SCALE 1:1	FULLING MOTOR	
DO NOT SCALE DRAWING				SHEET 1 OF 1		