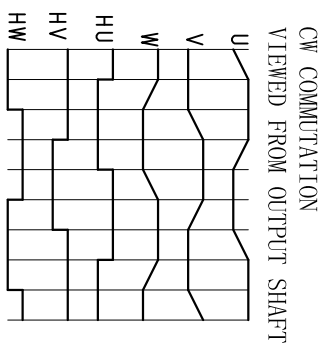
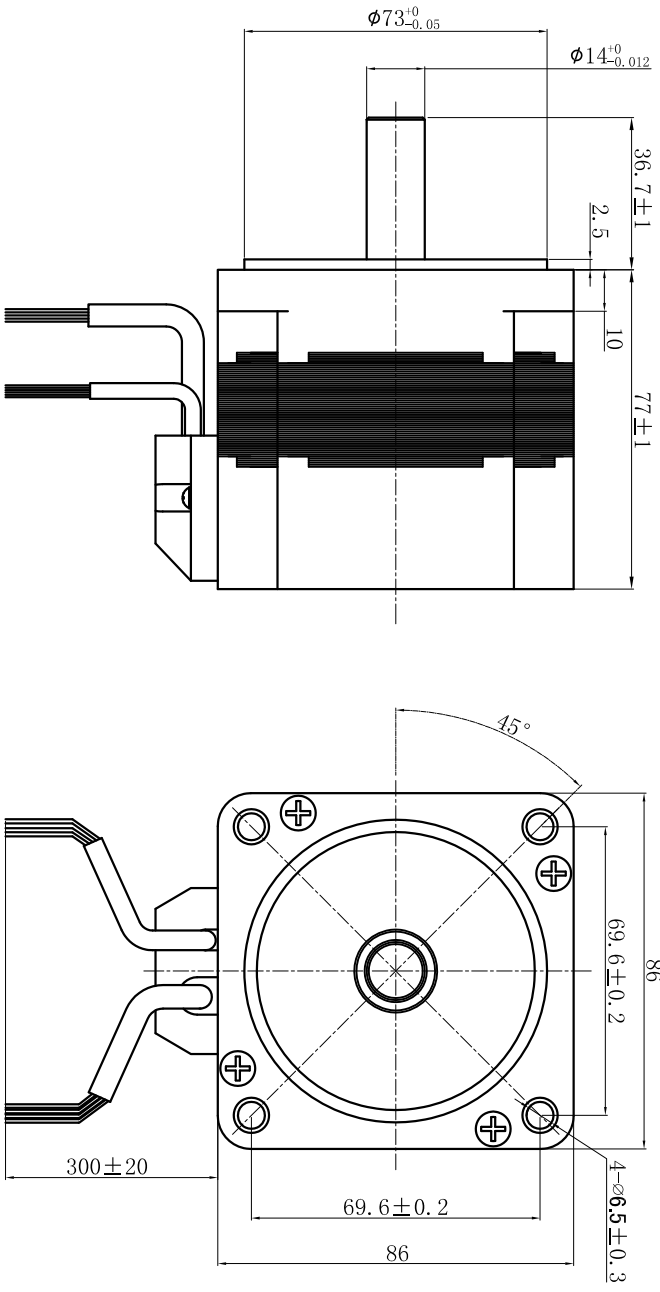
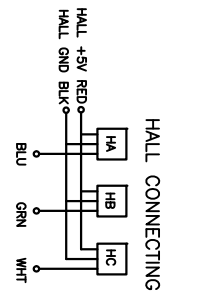
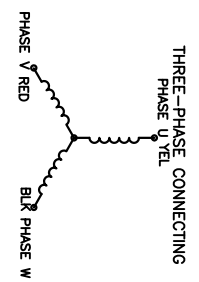
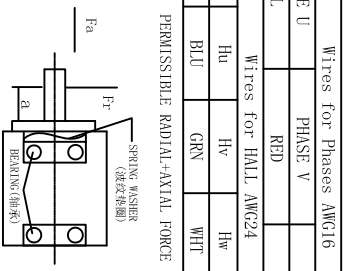


REV	EQ. NO.	DESCRIPTION	DRN	APPD	DATE



NUMBER OF PHASE	绕组相数	3	PHASE U	PHASE V	PHASE W
NUMBER OF POLES	极数	8	YEL	RED	BLK
LINE TO LINE RESISTANCE	绕组阻	0.34 ± 10% ohms@20°C			
NOMINAL VOLTAGE	额定电压	0.6 ± 20% mV@1kHz			
NO LOAD SPEED	空载转速	48 VDC			
NO LOAD CURRENT	空载电流	3200 RPM			
RATED TORQUE	额定转矩	<1 A			
RATED SPEED	额定转速	0.8 N.m			
RATED CURRENT	额定电流	3000 RPM			
PEAK TORQUE	峰值转矩	5.6 A			
PEAK CURRENT	峰值电流	1.8 N.m			
BACK EMF CONSTANT	反电势常数	17 A			
TORQUE CONSTANT	转矩常数	11 Vrms/KRPM			
INSULATION CLASS	绝缘等级	0.149 N.m/A			
DIELECTRIC STRENG	介电强度	B 130°C			
INSULATION RESIST	绝缘电阻	1200VAC 1SEC			
ROTOR INERTIA	转子转动惯量	100M0mm @500VDC			
WEIGHT	重量	800 gr. cm ²			
OPERATION AMBIENT	使用环境	1.85 Kg			
STORAGE AMBIENT	存储环境	Ambient temperature:-20...+50° C, humidity Max. 85% (No condensation) Ambient temperature:-20...+85° C, humidity Max. 85% (No condensation)			



REV	EQ. NO.	DESCRIPTION	DATE	P/N.

UNLESS OTHERWISE SPECIFIED	MATERIAL	CONTR	CHECK	DATE	TITLE
					Specifications

DECLIMALS:	ANGULAR:	FIRST ANGLE PROJECTION	SCALE	SHEET
.x ± 0.5	± 0° 30'		1:1	1 OF 1
.xxx ± 0.25				
.xxx ± 0.1				

DO NOT SCALE DRAWING

PULLING MOTOR