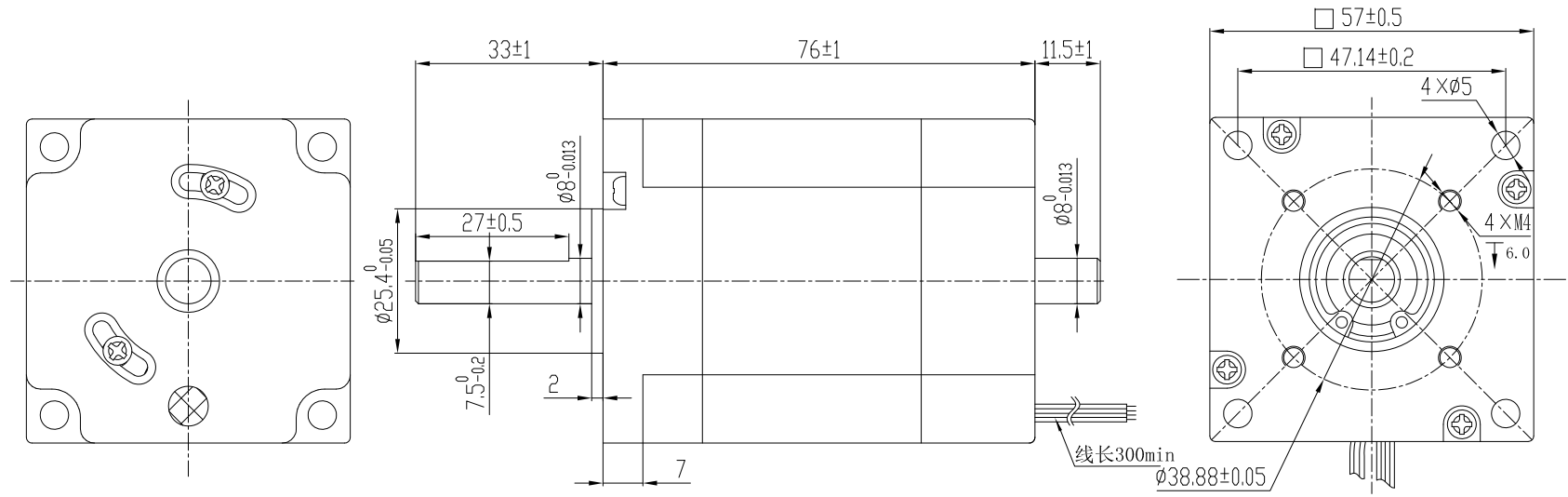
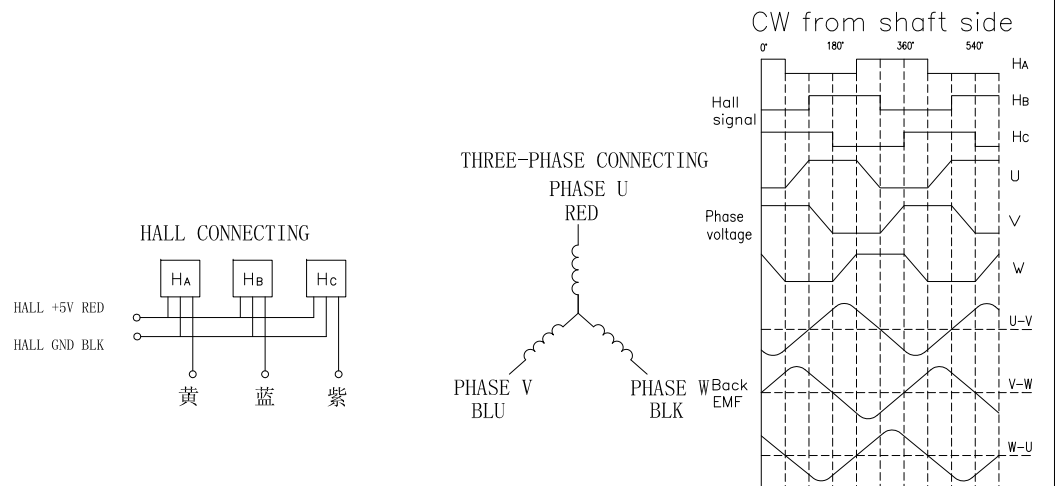
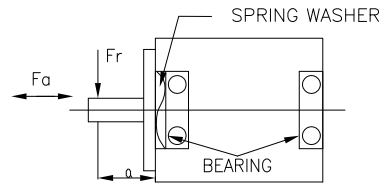


REV	ECN NO.	DESCRIPTION



NUMBER OF PHASE	绕组相数	3	Wires for Phases UL1430 AWG18# 105°C		
NUMBER OF POLES	极数	8	PHASE U	PHASE V	PHASE W
LINE TO LINE RESISTANCE	线电阻	1.2±10% ohms@20°C	红	蓝	黑
LINE TO LINE INDUCTANCE	线电感	1.2±20% mH@1kHz	Wires for Hall UL3265 AWG28# 125°C		
NOMINAL VOLTAGE	额定电压	36 VDC	HALL Vc	Hu	Hv
NO LOAD SPEED	空载转速	4400±10% RPM	红	黄	蓝
NO LOAD CURRENT	空载电流	< 0.35 A	Hw	HALL Gnd	黑
RATED TORQUE	额定转矩	0.3N.m	PERMISSIBLE RADIAL+AXIAL FORCE		
RATED SPEED	额定转速	3000(1±10%) RPM	SPRING WASHER		
RATED CURRENT	额定电流	4.0A	BEARING		
PEAK TORQUE	峰值转矩	0.9N.m	Fr		
PEAK CURRENT	峰值电流	12.0 A	Fa		
BACK EMF CONSTANT	反电势常数	5.6 Vrms/kRPM	a		
TORQUE CONSTANT	转矩常数	0.073N.m/A	AXIAL-FORCE 径向压力 Fa=75 N Max.		
INSULATION CLASS	绝缘等级	B 130°C	DISTANCE 距离 a=20 mm		
DIELECTRIC STRENGTH	介电强度	650VAC 1SEC	RADIAL-FORCE 轴向压力 Fr=15 N Max.		
INSULATION RESISTANCE	绝缘电阻	100MΩhm @500VDC	SHAFT RADIAL PLAY 径向间隙 0.025mm Max. @460g		
ROTOR INERTIA	转子转动惯量	260g.cm <sup>2</sup>	SHAFT AXIAL PLAY 轴向间隙 0.025mm Max. @4000g		
WEIGHT	重量	1.0 Kg	OPERATION AMBIENT 使用环境 Ambient temperature:-20...+55°C, humidity Max. 85%(No condensation)		
STORAGE AMBIENT	存储环境	Ambient temperature:-10...+35°C, humidity Max. 85%(No condensation)	STORAGE AMBIENT 存储环境 Ambient temperature:-10...+35°C, humidity Max. 85%(No condensation)		



DESIGN	DATE	P/N.	3.1.02.057.2108
UNLESS OTHERWISE SPECIFIED TOLERANCES	MATERIAL	TITLE	Specifications
DECIMALS: .x ±0.5 .xx ±0.25 .xxx ±0.1	CONTR.	USED ON	FL57BLB40
ANGULAR: ±0°30'	CHECK	DWG NO.	REV
UNIT: mm	APPD	FULLING MOTOR	
DO NOT SCALE DRAWING	FIRST ANGLE PROJECTION	SCALE	N.T.S
		SHEET	1 OF 1