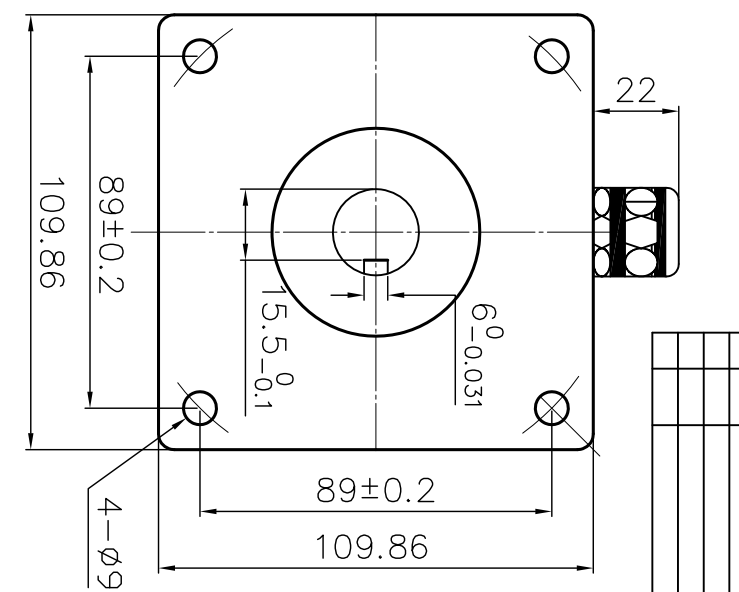
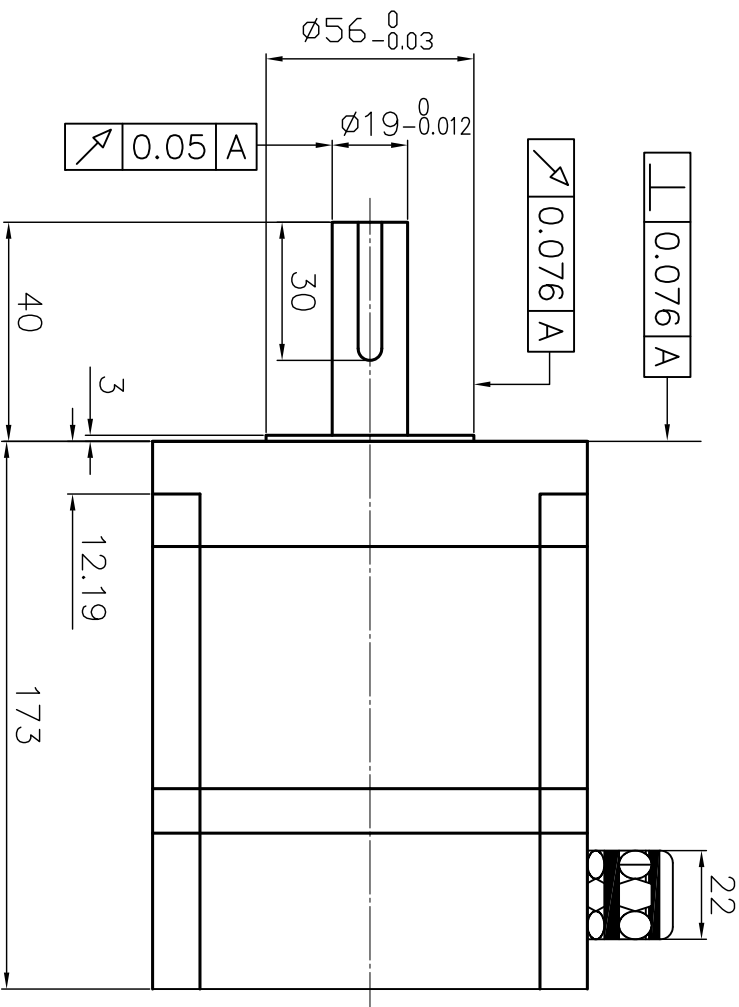


Dimension:

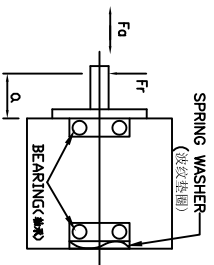


SPECIFICATION

STEP ANGLE	步距角	1.8°/full step (步数)
STEP ANGLE ACCURACY	步距角精度	±5%
NUMBER OF PHASE	绕组相数	3
RATED VOLTAGE	额定电压	325VDC
RATED CURRENT	额定电流	4.1A
RESISTANCE/PHASE	每相电阻	1.96±10% ohms@20°C
INDUCTANCE/PHASE	每相电感	18±20% mH@1KHz
HOLDING TORQUE	保持转矩	13.92N.m
PULL OUT TORQUE	运行转矩	N.m@ RPM
BACK EMF	反电动势	V @300RPM
DETTENT TORQUE	定位转矩	N.cm
ROTOR INERTIA	转子转动惯量	10500 g.cm ²
WEIGHT	重量	8.0kg
TEMPERATURE RISE	温升	Less than 80K (4#10#)
SOURCE VOLTAGE	驱动器电压	70-230 VAC
INSULATION CLASS	绝缘等级	B 150°C
DIELECTRIC STRENGTH	介电强度	1800VAC 1s
INSULATION RESISTANCE	绝缘电阻	100MΩhm @500VDC
IP CODE	防护等级	IP30
OPERATION AMBIENT	使用环境	Ambient temperature:-20...+50°C,humidity Max. 85%(No condensation)
STORAGE AMBIENT	存储环境	Ambient temperature:-20...+85°C,humidity Max. 85%(No condensation)

PERMISSIBLE RADIAL+AXIAL FORCE

(允许轴端力和轴端力)



AXIAL-FORCE 轴向压力 $F_a=100$ N Max.

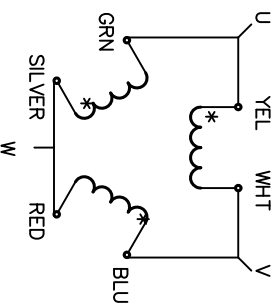
DISTANCE 距离 $q=20$ mm

RADIAL-FORCE 径向压力 $F_r=330$ N Max.

SHAFT RADIAL PLAY 径向间隙 0.02 mm Max. @4N

SHAFT AXIAL PLAY 轴向间隙 0.08 mm Max. @4N

Wiring Diagram:



UL1332 AWG18#

REV	ECN NO.	DESCRIPTION	DRN	APP'D.	DATE

REV	ECN NO.	DESCRIPTION	DRN	APP'D.	DATE	DESIGN	DATE	P/N
A								
UNLESS OTHERWISE SPECIFIED		MATERIAL		CHECK		TITLE		Specifications
TOLERANCES		CONTR.		APPD		USED ON		FL1103P170-01
DECIMALS:						DWG NO.		
ANGULAR:						REV		A
.X ±0.5								
.XX ±0.25								
.XXX ±0.1								
DO NOT SCALE DRAWING		FIRST ANGLE PROJECTION		SCALE		NTS		
				SHEET		OF		FULLING MOTOR