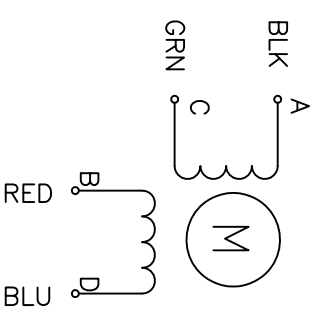


REV	ECN NO.	DESCRIPTION	DRN	APP'D	DATE

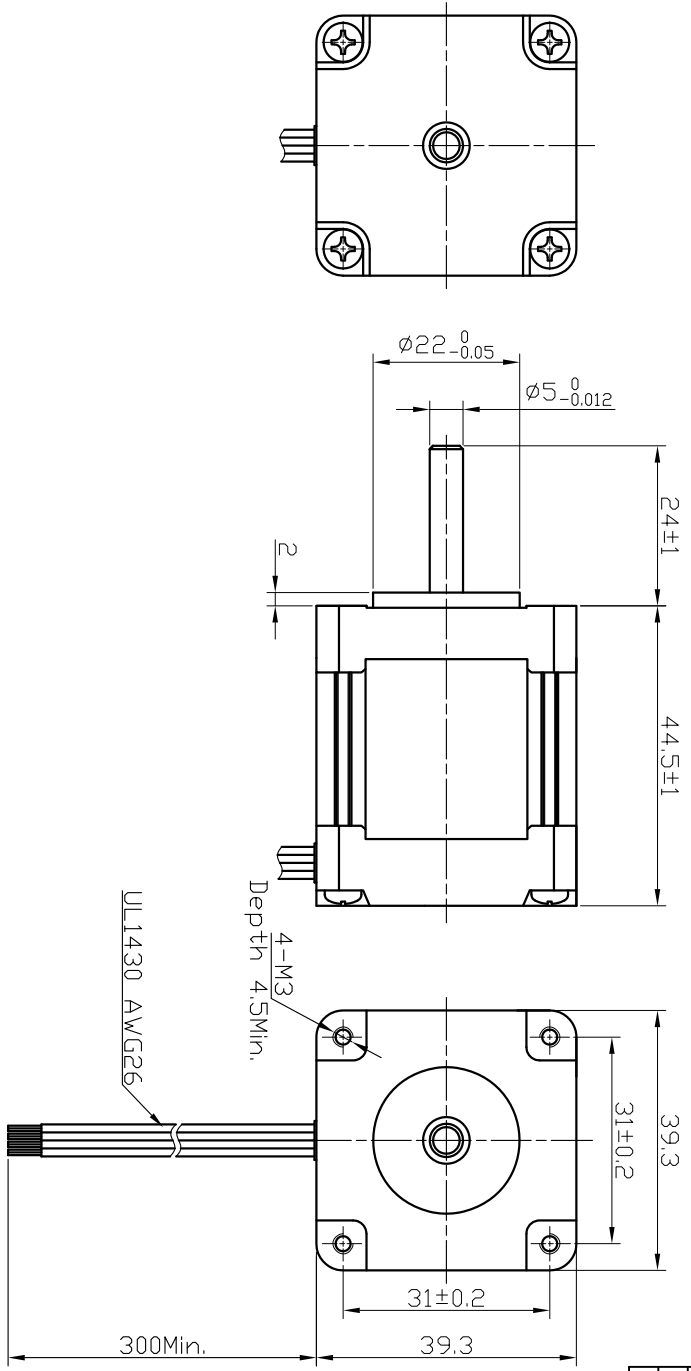
Wiring Diagram (接线图)



Exciting Sequence (励磁顺序)

CW DIRECTION	STEP	A	C	B	D
↑	1	+		+	
	2		+		+
	3			+	
	4		+		+

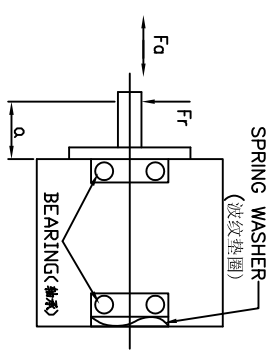
CW/see from flange side
(顺时针, 从法兰侧看)



SPECIFICATION

STEP ANGLE	步距角	0.9°/full step(步距)
STEP ANGLE ACCURACY	步距角精度	±5%
NUMBER OF PHASE	绕组相数	2
RATED VOLTAGE	额定电压	16.8 V
RATED CURRENT	额定电流	0.28 A
RESISTANCE/PHASE	每相电阻	60±10% ohms@20°C
INDUCTANCE/PHASE	每相电感	145±20% mH@1kHz
HOLDING TORQUE	保持转矩	2970 g.cm
PULL OUT TORQUE	运行转矩	
BACK EMF	反电动势	
DETENT TORQUE	定位转矩	
ROTOR INERTIA	转子转动惯量	36 g.cm ²
WEIGHT	重量	290 g
TEMPERATURE RISE	温升	Less than 80K(A*80) 升
SOURCE VOLTAGE	驱动器电压	24 VDC
INSULATION CLASS	绝缘等级	B 130°C
DIELECTRIC STRENGTH	介电强度	500VAC 1MIN
INSULATION RESISTANCE	绝缘电阻	100MΩhm @500VDC
IP CODE	防护等级	IP30
OPERATION AMBIENT	使用环境	Ambient temperature:-20...+50°C,humidity Max. 85%(No condensation)
STORAGE AMBIENT	存储环境	Ambient temperature:-20...+85°C,humidity Max. 85%(No condensation)

PERMISSIBLE RADIAL+AXIAL FORCE
(允许轴端径向和轴向力)



UNLESS OTHERWISE SPECIFIED	MATERIAL	CONTR.	CHECK	DESIGN	DATE	P/N
TOLERANCES: DECIMALS: .X ±0.5 .XX ±0.25 .XXX ±0.1						3.1101.042.***
ANGULAR: ±0°30'						Specifications
FIRST ANGLE PROJECTION						USED ON FL39S7H4S-0284MA
SCALE						DWG NO.
SHEET						REV
NTS						REV
OF						A
PULLING MOTOR						