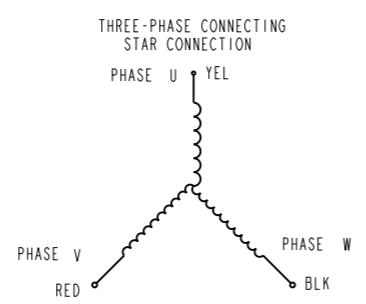
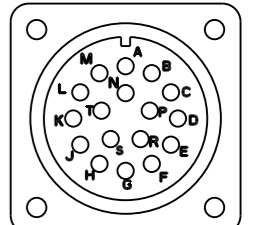
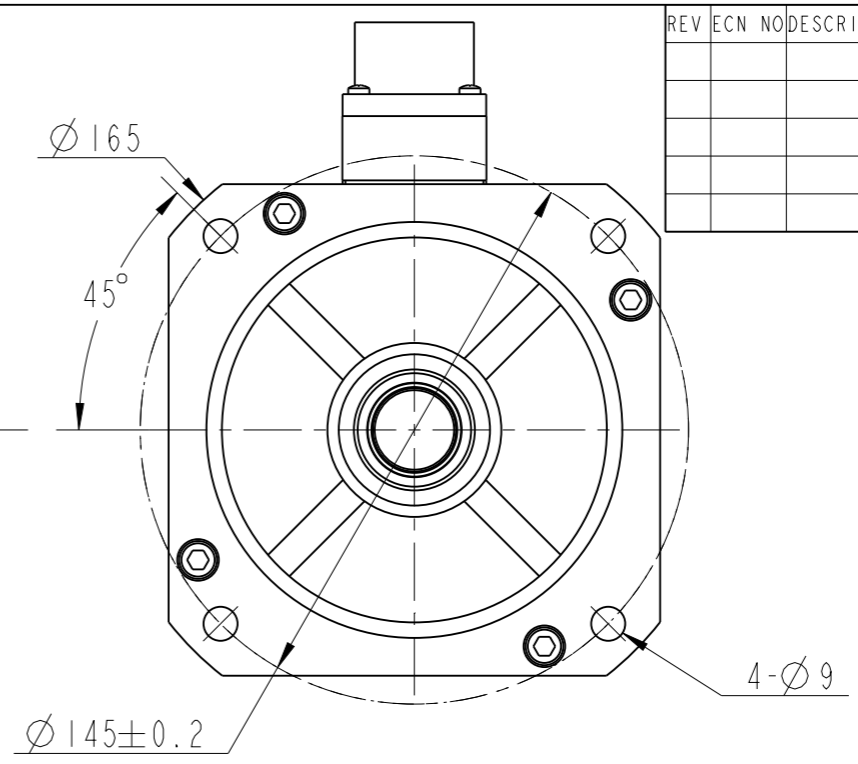
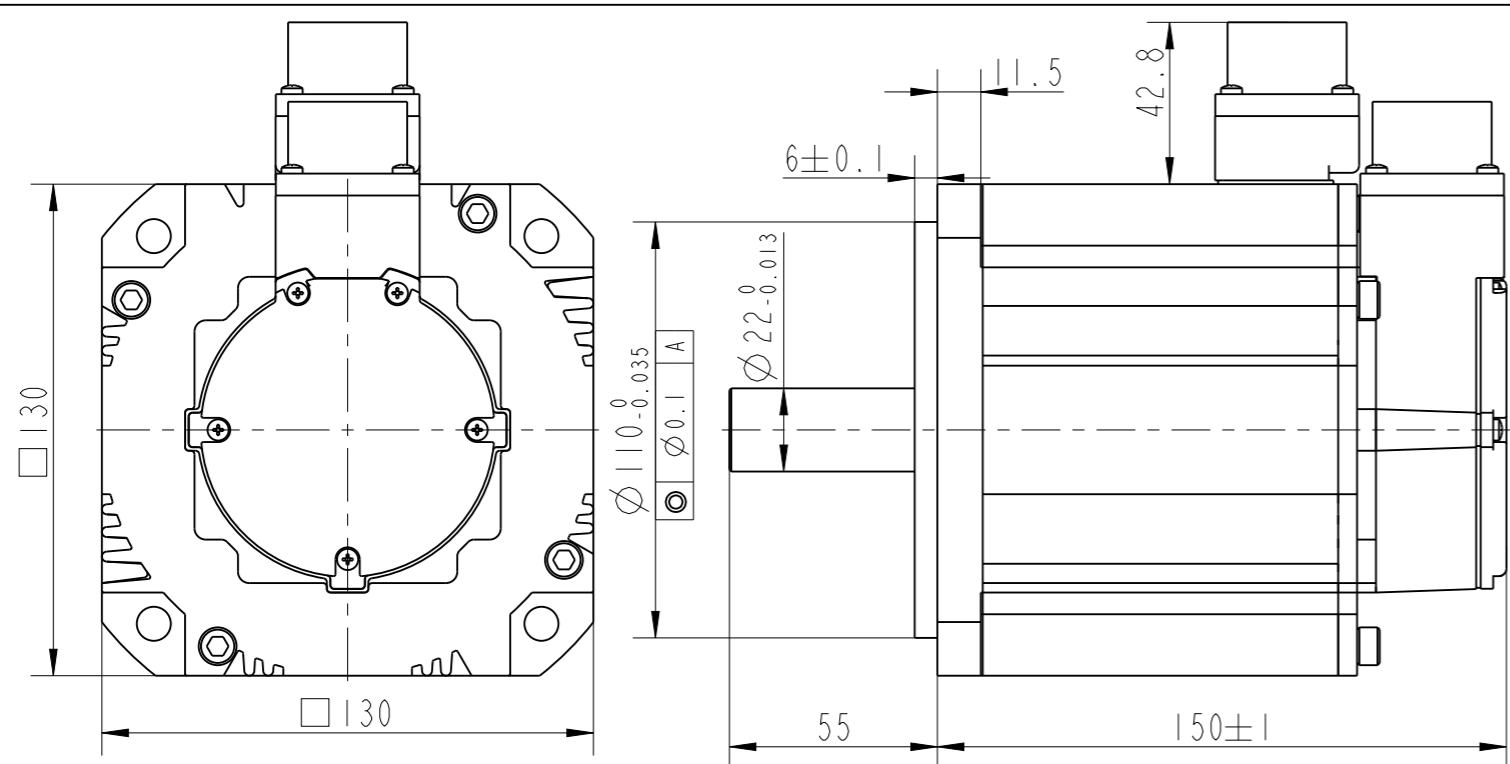
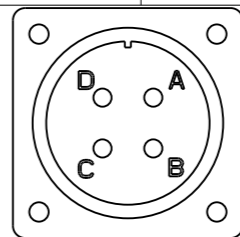


REV	ECN	NO	DESCRIPTION	DRN	APP'D	DATE



PIN	Color	Phase
PIN A	YEL	U
PIN B	RED	V
PIN C	BLK	W
PIN D	接地	接地



PIN No.	用途	颜色
A	VCC	红
B	GND	黑
C	A+	绿
D	A-	绿黑
E	B+	橙
F	B-	橙黑
G	Z+	黄
H	Z-	黄黑
J	U+	棕
K	U-	棕黑
L	V+	灰
M	V-	灰黑
N	W+	白
P	W-	白黑
R	PE	屏蔽
S	N.C.	空
T	N.C.	空

NUMBER OF PHASE		绕组相数	3	Connector for Phases			
NUMBER OF POLES	极数	10	PHASE U	PHASE V	PHASE W	PE	
LINE TO LINE RESISTANCE	线电阻	0.72±10% ohms@20°C(不含配套线束)	PINA	PINB	PINC	PIND	
LINE TO LINE INDUCTANCE	线电感	3.9±20% mH@1kHz	Feedback info				
NOMINAL VOLTAGE	额定电压	220 VAC	Feedback device:2500ppr incremental optical encoder				
NO LOAD SPEED	空载转速	3200 ±10% RPM					
NO LOAD CURRENT	空载电流	1.3 A(ref)					
RATED TORQUE	额定转矩	9.55 N.m	PERMISSIBLE RADIAL+AXIAL FORCE 				
RATED SPEED	额定转速	2000 RPM					
RATED CURRENT	额定电流	9.4 A					
PEAK TORQUE	峰值转矩	28.7 N.m					
PEAK CURRENT	峰值电流	28 A					
BACK EMF CONSTANT	反电势常数	68 Vrms/kRPM					
TORQUE CONSTANT	转矩常数	1.1 N.m/A					
INSULATION CLASS	绝缘等级	B 130°C					
DIELECTRIC STRENG	介电强度	1800VAC 1SEC					
INSULATION RESIST	绝缘电阻	100MΩhm @500VDC					
ROTOR INERTIA	转子转动惯量	1.4*10 ⁻³ kg.m ²	AXIAL-FORCE	轴向压力	Fa=196 N Max		
WEIGHT	重量	7.2 Kg	DISTANCE	距离	a=30 mm		
OPERATION AMBIENT	使用环境	Ambient temperature:-20...+50°C, humidity Max.85%(No condensation)	RADIAL-FORCE	径向压力	Fr=490 N Max		
STORAGE AMBIENT	存储环境	Ambient temperature:-20...+85°C, humidity Max.85%(No condensation)	SHAFT RADIAL PLAY	径向间隙	0.02mm Max.@4N		
			SHAFT AXIAL PLAY	轴向间隙	0.14mm Max.@4N		

REV	ECN	NO	DESCRIPTION	DESIGN	DATE	P/N.	TITLE
							130伺服电机
UNLESS OTHERWISE SPECIFIED TOLERANCES:			MATERIAL	CONTR.	CHECK	USED ON	
DECIMALS: .X ±0.5						FL130SV200-220V-20EA1	
.XX ±0.25						DWG NO.	REV A
.XXX ±0.1							
UNIT: mm			FIRST ANGLE PROJECTION	SCALE 1:4	SHEET 1 OF 1		
DO NOT SCALE DRAWING					FULLING MOTOR		