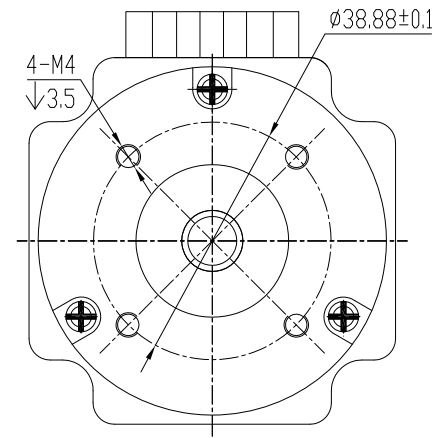


REV	ECN NO.	DESCRIPTION



NOTE:

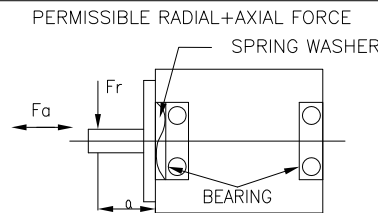
- 1 USE THE BEARING--ZZ SERIES
- 2 SPEED CLOSE-LOOP CONTROL:5000 RPM MAX . @ SV=5VDC

CONNECTING INDICATING

+5V	F/R	SV	PG	GND	Vp-	Vp+
○	○	○	○	○	○	○
7	6	5	4	3	2	1

- 1 Vp+----Positive input of 36VDC
- 2 Vp----Negative input of 36VDC
- 3 GND---COMMON GROUND OF SYSTEM
- 4 PG---SPEED PULSE OUTPUT(TTL),12 PULSE/REV
- 5 SV---SPEED VOLTAGE 0--5VDC
- 6 F/R---ROTATING DIRECTION,Hi=CCW
- 7 +5V---+5V VOLTAGE OUTPUT

NUMBER OF PHASE	绕组相数	3	
NUMBER OF POLES	极数	4	
LINE TO LINE RESISTANCE	线电阻	4.3±10% ohms@20°C	
LINE TO LINE INDUCTANCE	线电感	8.6±20% mH@1kHz	
NOMINAL VOLTAGE	额定电压	36 VDC	
NO LOAD SPEED	空载转速	6650±10% RPM	
NO LOAD CURRENT	空载电流	< 0.4 A	
RATED TORQUE	额定转矩	0.055N.m	
RATED SPEED	额定转速	4000(1±10%) RPM	
RATED CURRENT	额定电流	1.0A	
PEAK TORQUE	峰值扭矩	0.165 N.m	
PEAK CURRENT	峰值电流	3.0 A	
BACK EMF CONSTANT	反电势常数	3.8 Vrms/kRPM	
TORQUE CONSTANT	转矩常数	0.052N.m/A	
INSULATION CLASS	绝缘等级	B 130°C	
DIELECTRIC STRENGTH	介电强度	650VAC 1SEC	
INSULATION RESISTANCE	绝缘电阻	100MΩhm @500VDC	
ROTOR INERTIA	转子转动惯量	30g.cm ²	
WEIGHT	重量	0.33 Kg	
OPERATION AMBIENT	使用环境	Ambient temperature:-20...+55°C,humidity Max. 85%(No condensation)	
STORAGE AMBIENT	存储环境	Ambient temperature:-10...+35°C,humidity Max. 85%(No condensation)	



DESIGN		DATE	P/N.	3.1.02.057.0371
UNLESS OTHERWISE SPECIFIED TOLERANCES		MATERIAL	CONTR.	CHECK
DECIMALS:	ANGULAR:			
.x ±0.5	±0°30'			
.xx ±0.25				
.xxx ±0.1				
UNIT: mm				
DO NOT SCALE DRAWING	FIRST ANGLE PROJECTION	SCALE N.T.S	SHEET 1 OF 1	
			TITLE Specifications	
			USED ON FL57BL005-IE	
			DWG NO.	REV
			FULLING MOTOR	