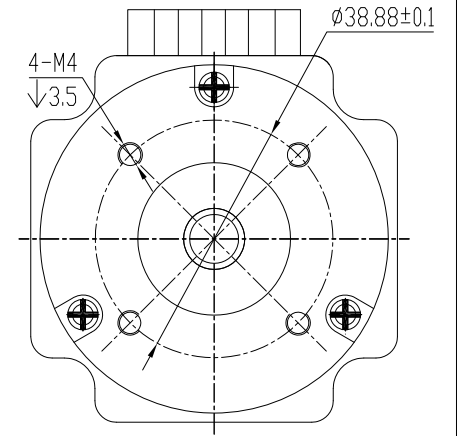
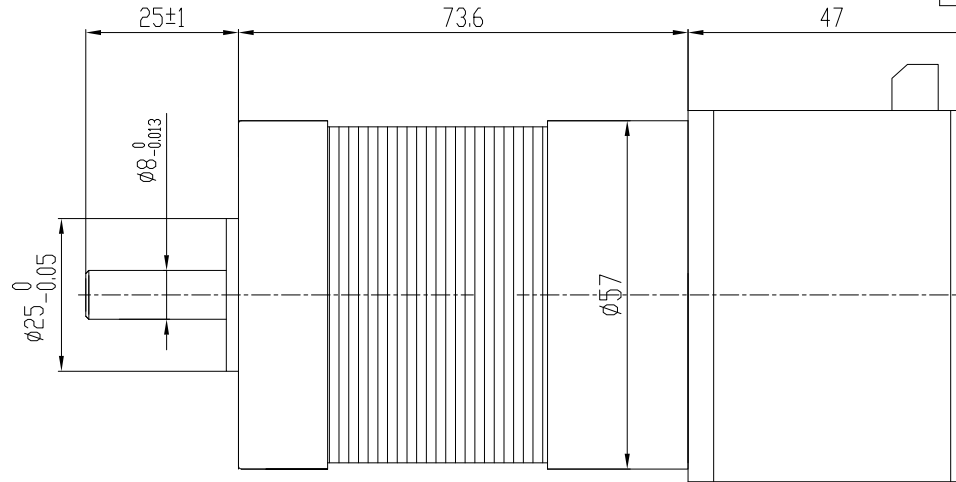
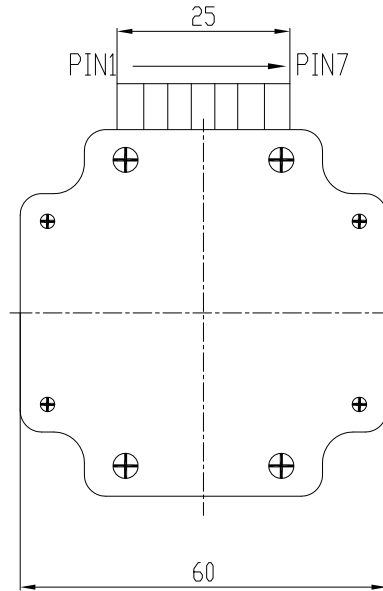


REV	ECN NO.	DESCRIPTION



- NOTE:
- 1 USE THE BEARING--ZZ SERIES
 - 2 SPEED CLOSE-LOOP CONTROL:5000 RPM MAX . @ SV=5VDC

CONNECTING INDICATING

+5V	F/R	SV	PG	GND	Vp-	Vp+
○	○	○	○	○	○	○
7	6	5	4	3	2	1

- 1 Vp+----Positive input of 36VDC
- 2 Vp----Negative input of 36VDC
- 3 GND---COMMON GROUND OF SYSTEM
- 4 PG---SPEED PULSE OUTPUT(TTL),12 PULSE/REV
- 5 SV---SPEED VOLTAGE 0--5VDC
- 6 F/R---ROTATING DIRECTION,Hi=CCW
- 7 +5V---+5V VOLTAGE OUTPUT

NUMBER OF PHASE	绕组相数	3		
NUMBER OF POLES	极数	4		
LINE TO LINE RESISTANCE	线电阻	0.64±10% ohms@20°C		
LINE TO LINE INDUCTANCE	线电感	2±20% mH@1kHz		
NOMINAL VOLTAGE	额定电压	36 VDC		
NO LOAD SPEED	空载转速	5400±10% RPM		
NO LOAD CURRENT	空载电流	< 0.5 A		
RATED TORQUE	额定转矩	0.22N.m	<p>PERMISSIBLE RADIAL+AXIAL FORCE</p>	
RATED SPEED	额定转速	4000(1±10%) RPM		
RATED CURRENT	额定电流	3.7A		
PEAK TORQUE	峰值扭矩	0.66 N.m		
PEAK CURRENT	峰值电流	11.1 A		
BACK EMF CONSTANT	反电势常数	4.45 Vrms/kRPM		
TORQUE CONSTANT	转矩常数	0.06N.m/A		
INSULATION CLASS	绝缘等级	B 130°C		
DIELECTRIC STRENGTH	介电强度	650VAC 1SEC		
INSULATION RESISTANCE	绝缘电阻	100MΩhm @500VDC		
ROTOR INERTIA	转子转动惯量	119g.cm ²	AXIAL-FORCE 径向压力	Fa=75 N Max.
WEIGHT	重量	0.72 Kg	DISTANCE 距离	a=20 mm
OPERATION AMBIENT	使用环境	Ambient temperature:-20...+55°C,humidity Max. 85%(No condensation)	RADIAL-FORCE 轴向压力	Fr=15 N Max.
STORAGE AMBIENT	存储环境	Ambient temperature:-10...+35°C,humidity Max. 85%(No condensation)	SHAFT RADIAL PLAY 径向间隙	0.025mm Max. @460g
			SHAFT AXIAL PLAY 轴向间隙	0.025mm Max. @4000g

DESIGN		DATE	P/N.	3.1.02.057.0006
UNLESS OTHERWISE SPECIFIED TOLERANCES		MATERIAL	CONTR.	CHECK
DECIMALS: .x ±0.5 .xx ±0.25 .xxx ±0.1				
ANGULAR: ±0°30'				
UNIT: mm				
DO NOT SCALE DRAWING		FIRST ANGLE PROJECTION		SCALE N.T.S
		SHEET 1 OF 1		TITLE Specifications
				USED ON FL57BL02-IE
				DWG NO. REV
				FULLING MOTOR