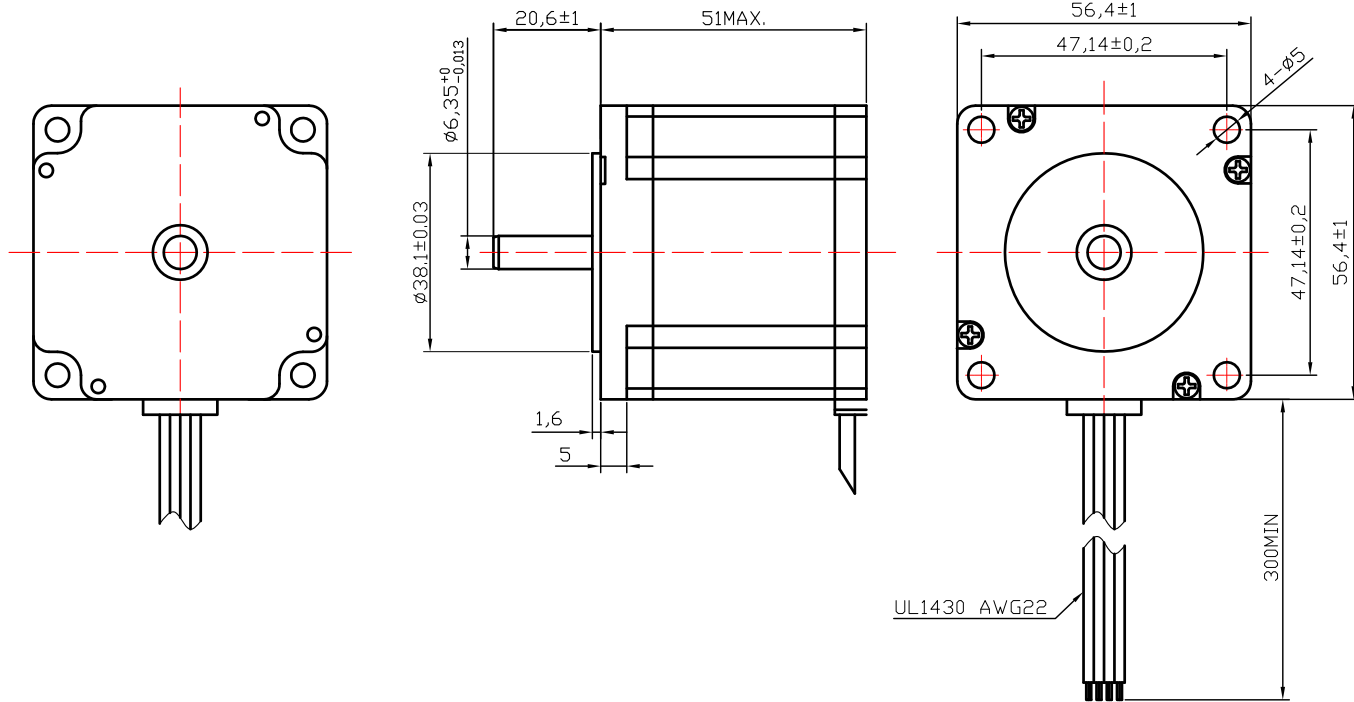
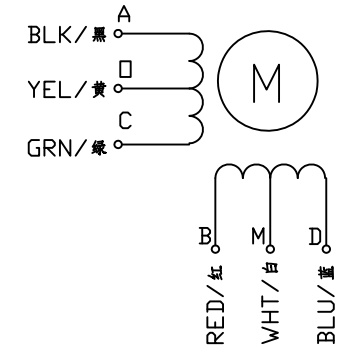


REV	ECN NO.	DESCRIPTION	DRN	APP'D	DATE



WIRING DIAGRAM/ 接线图



Exciting Sequence (励磁顺序)

CW DIRECTION	STEP	A	C	B	D	O	M
↓	1	+		+		+	+
	2		+	+		+	+
	3		+		+	+	+
	4	+			+	+	+
	1	+		+		+	+

CW, see from flange side
(顺时针, 从法兰侧看)

SPECIFICATION

STEP ANGLE	步距角	1.8°/full step(整步)	<p>PERMISSIBLE RADIAL+AXIAL FORCE (允许的轴向和径向力)</p>	
STEP ANGLE ACCURACY	步距角精度	±5%		
NUMBER OF PHASE	绕组相数	2		
RATED VOLTAGE	额定电压	3.3 VDC		
RATED CURRENT	额定电流	2 A		
RESISTANCE/PHASE	每相电阻	1.65±10% ohms@20°C		
INDUCTANCE/PHASE	每相电感	2.2±20% mH@1kHz		
HOLDING TORQUE	保持转矩	0.72 N.m		
PULL OUT TORQUE	运行转矩	N/A		
BACK EMF	反电动势	V @300RPM		
DETENT TORQUE	定位转矩	N.cm		
ROTOR INERTIA	转子转动惯量	275 g.cm ²		
WEIGHT	重量	0.65 Kg		
TEMPERATURE RISE	温升	Less than 80K (<40°F)	AXIAL-FORCE 轴向压力	Fa=15 N Max.
SOURCE VOLTAGE	驱动器电压	N/A	DISTANCE 距离	a=20 mm
INSULATION CLASS	绝缘等级	B 130°C	RADIAL-FORCE 径向压力	Fr=75 N Max.
DIELECTRIC STRENGTH	介电强度	600VAC 1MIN	SHAFT RADIAL PLAY 径向间隙	0.02mm Max. @4N
INSULATION RESISTANCE	绝缘电阻	100MΩ @500VDC	SHAFT AXIAL PLAY 轴向间隙	0.08mm Max. @4N
IP CODE	防护等级	N/A		
OPERATION AMBIENT	使用环境	Ambient temperature: -20...+50°C, humidity Max. 85%(No condensation)		
STORAGE AMBIENT	存储环境	Ambient temperature: -10...+35°C, humidity Max. 85%(No condensation)		

REV	ECN NO.	DESCRIPTION	DRN	APP'D	DATE	DESIGN	DATE	P/N.	3.1.01.057. xxxx
								TITLE	Specifications
UNLESS OTHERWISE SPECIFIED TOLERANCES						MATERIAL	CONTR.	USED ON	FL57STH51-2006A
DECIMALS: .x ±0.5								DWG NO.	
ANGULAR: .xx ±0.25 ±0°30'								REV	A
.xxx ±0.1						FIRST ANGLE PROJECTION	SCALE 1:1	FULLING MOTOR	
UNIT: mm							SHEET OF		
DO NOT SCALE DRAWING									